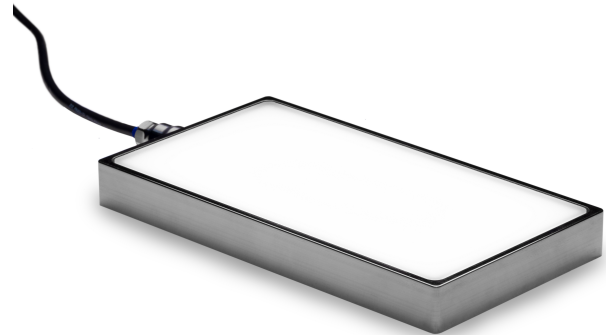


Product Highlights

- Built for extreme environments, our IP69K certified lights are specifically engineered to withstand everything from prolonged liquid immersion to high-pressure steam cleaning.
- Crevice-free design with smooth-bodied surfaces to diminish the chance of material buildup while improving its ease of cleaning.
- Proprietary nickel finish for vastly improved corrosion protection - more inert than stainless steel.
- Engineered with thermal management in mind - housing is 11X more thermally conductive than stainless steel.



General Specifications

	Color	24V Current	All Other Controls
Electrical Specifications	660, 880	0.03A per sq. inch	0.018A Max per sq. inch
	470, 520, WHI	0.02A per sq. inch	0.015A Max per sq. inch
Normal Operating Temperature	0-60°C		
Weight	4" x 8" unit - 635g (22.4oz)		
Cable Information	2 meters long (80") - 105°C rated PVC jacket, foil shield with drain.		
Photobiological Risk Factor	Exempt Applicable Wavelengths: 880		
	Group 1 (Low Risk) Applicable Wavelengths: 470, 520, 660, WHI		
Compliance	CE, RoHS, IEC 62471		
IP Rating	IP69K Certified		
Lumen Maintenance	L70 = 50,000 Hours		

Part Number Key

Model	-	Length	Width	Wavelength	Connector /Control	-	Alternative Connector (Optional)
BL245	-	XX	YY	XXX	XX	-	XXX
BL245	-	IN 1" INCREMENTS FROM 2" TO 12"	IN 1" INCREMENTS FROM 2" TO 12"	(BLUE) 470 (GREEN) 520 (RED) 660 (IR) 880 (WHITE) WHI	C1 C5 IC I3 I3S 24	-	M12 ¹

Ex: BL245-0412WHI3-M12
BL245-1212660C1

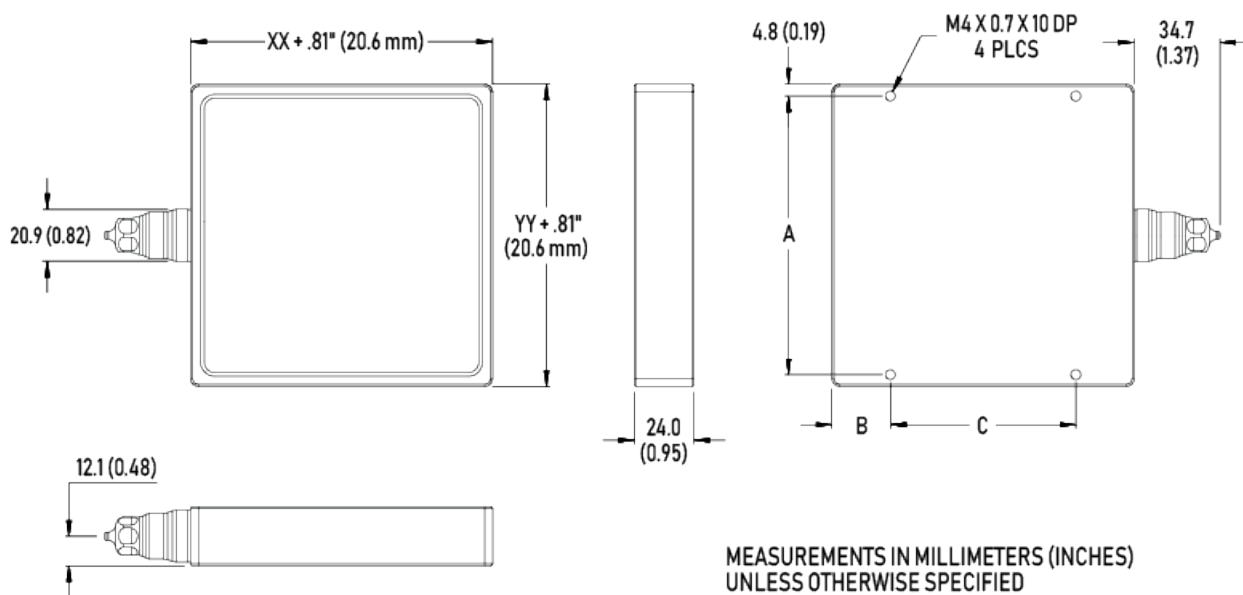
STANDARD SIZES THAT SHIP WITHIN 2 WEEKS

¹ AVAILABLE WITH IC, I3, and I3S

BL245-0404	BL245-1212
BL245-0606	BL245-0408
BL245-0808	BL245-0812

CONTACT SALES FOR SIZES BEYOND 12" X 12"

Mechanical Specs



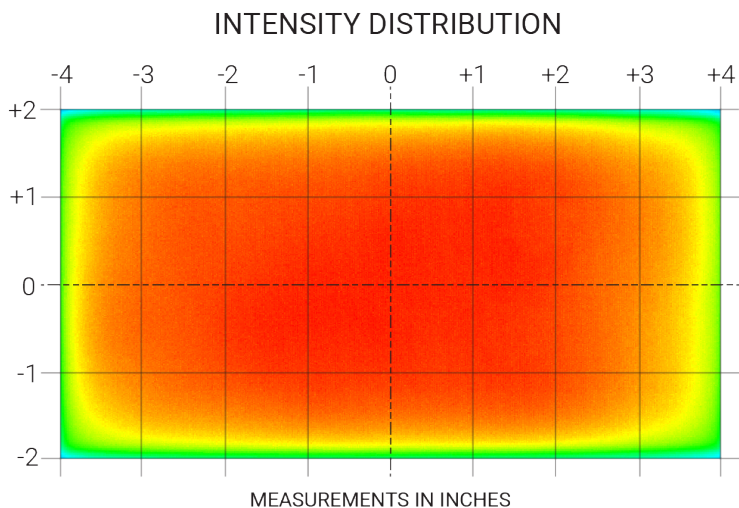
MEASUREMENTS IN MILLIMETERS (INCHES)
UNLESS OTHERWISE SPECIFIED

BUILD-TO-ORDER SIZE CHART

BL245-XXYY	XX LENGTH	YY WIDTH	A	B	C
BL245-0404	122.2 (4.81)	122.2 (4.81)	112.6 (4.43)	23.6 (0.93)	75.0 (2.95)
BL245-0606	173.0 (6.81)	173.0 (6.81)	163.4 (6.43)	36.5 (1.44)	100.0 (3.94)
BL245-0804	223.8 (8.81)	122.2 (4.81)	112.6 (4.43)	49.4 (1.94)	125.0 (4.92)
BL245-0808	223.8 (8.81)	223.8 (8.81)	214.2 (8.43)	49.4 (1.94)	125.0 (4.92)
BL245-1208	325.4 (12.81)	223.8 (8.81)	214.2 (8.43)	75.2 (2.96)	175.0 (6.89)
BL245-1212	325.4 (12.81)	325.4 (12.81)	315.8 (12.43)	75.2 (2.96)	175.0 (6.89)

CONTACT SALES FOR ADDITIONAL SIZES

Optical Specs



INTENSITY LEVELS

	100% - 80%	15,000 - 12,000 lux 49,000 - 39,200 W/M ²
	80% - 60%	12,000 - 9,000 lux 39,200 - 29,400 W/M ²
	60% - 40%	9,000 - 6,000 lux 29,400 - 19,600 W/M ²
	40% - 20%	6,000 - 3,000 lux 19,600 - 9,800 W/M ²
	20% - 0%	3,000 - 0 lux 9,800 - 0 W/M ²

OPTICAL MEASUREMENTS TAKEN AT THE DIFFUSER SURFACE USING 4" x 8" WHITE LED MODEL

Electrical Specs

ICS 2 (IC)

PIN (M12)	FUNCTION	WIRE COLOR
1	24V DC	BROWN
2	0-10V ANALOG CONTROL	WHITE
3	DC GND	BLUE
4	GLO	BLACK
5	N/A	GRAY

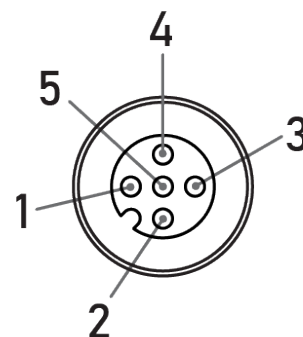
ICS 3 (I3 & I3S)

PIN (M12)	FUNCTION	WIRE COLOR
1	24V DC	BROWN
2	SHIELD	WHITE
3	DC GND	BLUE
4	PNP/ACTIVE HIGH TRIGGER	BLACK
5	0-10V ANALOG CONTROL	GRAY

24 VOLT

PIN (M12)	FUNCTION	WIRE COLOR
1	24V DC	BROWN
2	N/A	WHITE
3	DC GND	BLUE
4	N/A	BLACK
5	N/A	GRAY

Optional M12 Pinout



MALE
5-POSITION

Control Specs

C1 CONNECTOR

For use with:
DCS Series Controllers
Strobe/Continuous Controllers

C5 CONNECTOR

For use with:
Pulsar 320
High Power Strobe Only Controller

ICS 2 (IC)

In-line Continuous Controller

Powered with:
24V Power Supply

ICS 3

In-line Strobe/Continuous Controller
Default On
Powered with:
24V Power Supply

ICS 3S (I3S)

In-line Strobe/Continuous Controller
Default Off
Powered with:
24V Power Supply

24 VOLT

Flying/Tinned Leads

Powered with:
24V Power Supply

Warranty Information

Every Advanced illumination, Inc. (Ai) product is thoroughly inspected and tested before leaving the factory. Products are warranted to be free of defects in workmanship and materials for a period of two years from the original date of purchase. Should a defect develop during this period, please contact Ai Customer Service or your Ai distributor for a Return Merchandise Authorization (RMA), and return the complete product, freight prepaid, to Ai. If a defect is found, Ai will - at our discretion - repair or replace the product without charge. Ai claims no liability for any implied warranties, including "merchantability" and "fitness for a specific purpose."

Electromagnetic Compatibility

This product was tested and complies with the regulatory requirements and limits for electromagnetic compatibility (EMC) as stated in the product specifications. These requirements and limits are designed to provide reasonable protection against harmful interference only when the product is operated in its intended industrial electromagnetic environment. To minimize the potential for electromagnetic interference or unacceptable performance degradation, install and use this product in strict accordance with the instructions in the product documentation.

Customer Service

For information on existing orders, or to make an order adjustment, contact us Monday through Friday 8:00 am to 5:00 pm ET or send an email to orders@advill.com.