

## HIGH-SPEED VIDEO CAMERA

# CamRecord 5000



**adept**  
**electronic solutions**

**The Machine Vision and  
Imaging Specialists**

Perth: +61 (08) 9242 5411  
Sydney: +61 (02) 9979 2599  
Melbourne: +61 (03) 9555 5621  
Email: [adept@adept.net.au](mailto:adept@adept.net.au)  
Web: <http://www.adept.net.au>

High sensitive

High-Speed CMOS

Camera with

5000 fps

- ▶ 5000 fps at full resolution
- ▶ Very high sensitivity
- ▶ Resolution 512 x 512
- ▶ Gigabit Ethernet interface
- ▶ Monochrome and color
- ▶ Up to 4 GB internal memory
- ▶ Easy to use software



## HIGH-SPEED VIDEO CAMERA

### Performance (Examples)

Speed	Resolution (H x V)	Video Memory: /2GB Recording Time at max. Speed	Video Memory: /4GB Recording Time at max. Speed
5 000 fps	512 x 512	1.6 sec	3.2 sec
10 000 fps	512 x 256	1.6 sec	3.2 sec
	256 x 256	3.2 sec	6.4 sec
20 000 fps	512 x 128	1.6 sec	3.2 sec
	128 x 128	6.4 sec	12.8 sec
40 000 fps	512 x 64	1.6 sec	3.2 sec
	64 x 64	12.8 sec	25.6 sec
80 000 fps	512 x 32	1.6 sec	3.2 sec
	32 x 32	25.6 sec	51.2 sec
160 000 fps	512 x 16	1.6 sec	3.2 sec
	16 x 16	51.2 sec	102.4 sec
320 000 fps	512 x 8	1.6 sec	3.2 sec

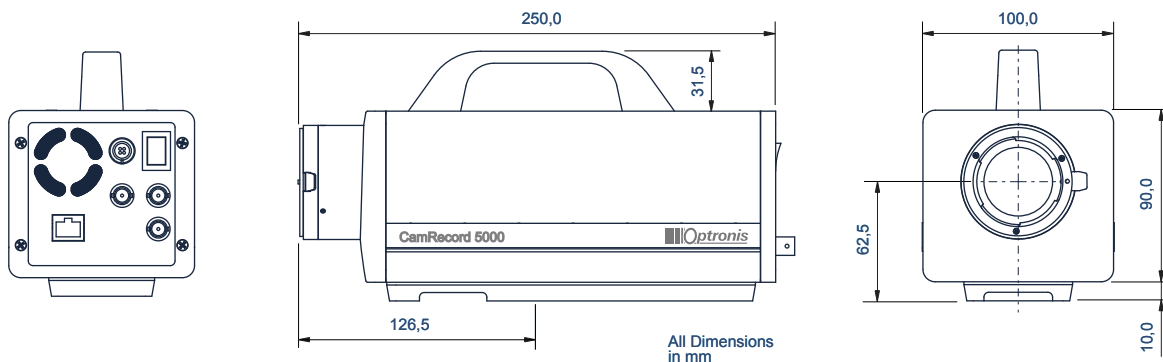
### Software Options

/SDK	Software development kit
/LAB	Labview driver

### Specifications

Image Sensor	CMOS monochrome or color (Bayer Pattern)
Resolution	512 x 512 Pixel @ full resolution
Active Area / Pixel Size	8.19 mm x 8.19 mm (11.58 mm diagonal) / 16 $\mu$ m x 16 $\mu$ m
A/D Conversion / Dynamic	8 bit / 48dB (typ.)
Sensitivity	9 V/ lux-second @ 550nm
Shutter / Efficiency	global electronic shutter, min. 1 $\mu$ s exposure time / >99.9%
PIV Interframing Time	~ 100 nsec
Trigger Signal	TTL, switch, open collector, rising or falling edge, on image content variation
Synchronization	internal, external
Interface	Gigabit Ethernet (optional IEEE1394a (FireWire <sup>®</sup> ))
Power	110 .. 240 V / 50..60 Hz (external AC/DC converter)
Lens Mount	C-mount (optional F-mount (Nikon))
Weight	1,7 kg (typ. without lens)
Environmental Conditions	Operating temperature 0 .. 40°C; humidity < 80% relative, non-condensed
Dimensions	250 mm (L) x 100 mm (W) x 131,5 mm (H) (without lens)

Accessories	User Software, Manual, Suitcase, Interface Cable, Power Supply
-------------	--



The information given herein is believed to be reliable, however Optronis makes no warranties as to its accuracy or completeness. This datasheet is subject to modifications without prior notice. 08/2007