

## HIGH-SPEED VIDEO CAMERA

# CamRecord 600



Compact and easy  
to use High-Speed  
CMOS Camera with  
Gigabit Ethernet



**adept**  
**electronic solutions**

The Machine Vision and  
Imaging Specialists

Perth: +61 (08) 9242 5411  
Sydney: +61 (02) 9979 2599  
Melbourne: +61 (03) 9555 5621  
Email: [adept@adept.net.au](mailto:adept@adept.net.au)  
Web: <http://www.adept.net.au>

- ▶ High resolution 1280 x 1024
- ▶ 500 fps at full resolution
- ▶ Gigabit Ethernet interface
- ▶ Monochrome and color
- ▶ Up to 8 GB internal memory
- ▶ Full frame shutter
- ▶ 10 bit A/D conversion



# HIGH-SPEED VIDEO CAMERA

## Performance (Examples)

Speed	Resolution (H x V)	Video Memory: /4GB Recording Time at max. Speed	Video Memory: /8GB Recording Time at max. Speed
50 .. 500 fps	1 280 x 1 024	6.5 sec	13.0 sec
50 .. 850 fps	800 x 600	10.5 sec	21.0 sec
50 .. 875 fps	720 x 576	11.8 sec	23.6 sec
50 .. 1 000 fps	1 280 x 512	6.5 sec	13.0 sec
	640 x 480	13.9 sec	27.8 sec
50 .. 2 000 fps	1 280 x 256	6.5 sec	13.0 sec
	320 x 256	26.2 sec	52.4 sec
50 .. 4 000 fps	1 280 x 128	6.5 sec	13.0 sec
	160 x 128	52.4 sec	104.8 sec
50 .. 10 000 fps	1 280 x 50	6.7 sec	13.4 sec
	80 x 50	111.8 sec	223.6 sec
50 .. 25 000 fps	1 280 x 20	6.7 sec	13.4 sec
50 .. 50 000 fps	1 280 x 8	8.3 sec	16.6 sec
50 .. 100 000 fps	1 280 x 4	8.3 sec	16.6 sec

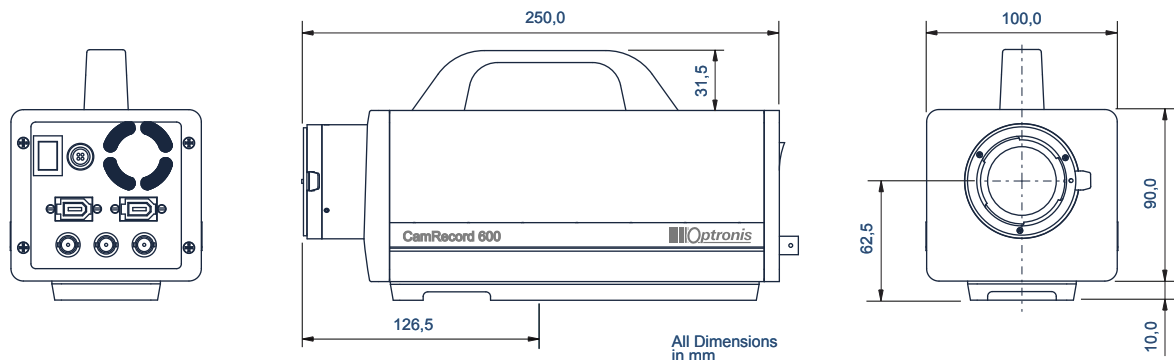
## Software Options

/SDK	Software development kit
/LAB	Labview driver

## Specifications

Image Sensor	CMOS monochrome or color (Bayer Pattern)
Resolution	1280 x 1024 Pixel @ full resolution
Active Area / Pixel Size	15.36mm x 12.29mm / 12 $\mu$ m x 12 $\mu$ m
A/D Conversion / Dynamic	10 bit or 8 bit selectable / 59dB (typ.)
Sensitivity	1600 bits / lux-second @ 550 nm (monochrome)
Shutter / Efficiency	global electronic shutter, min. 1 $\mu$ s exposure time / >99.9%
PIV Interframing Time	~ 200 nsec
Trigger Signal	TTL, switch, open collector, rising or falling edge, on image content variation
Synchronization	internal, external
Interface	Gigabit Ethernet (optional IEEE1394a (FireWire <sup>®</sup> ))
Power	110 .. 240 V / 50..60 Hz (external AC/DC converter)
Lens Mount	F-mount (Nikon), C-mount optional
Weight	1,7 kg (typ. without lens)
Environmental Conditions	Operating temperature 0 .. 40°C; humidity < 80% relative, non-condensed
Dimensions	250 mm (L) x 100 mm (W) x 131,5 mm (H) (without lens)

Accessories	User Software, Manual, Suitcase, FireWire Cable, Power Supply
-------------	---



The information given herein is believed to be reliable, however Optronis makes no warranties as to its accuracy or completeness. This datasheet is subject to modifications without prior notice. 08/2006