

GO-5000-PMCL

5-megapixel CMOS global shutter



- **Large format 5 MP CMOS imager (global shutter)**
- **Up to 107 fps at full resolution**
- **5.0 μm square pixels**
- **Small size (29 x 29 x 41.5 mm, excluding lens mount)**
- **8/10/12-bit output in choice of monochrome or raw Bayer color models**
- **60 dB linear dynamic range with built-in HDR modes up to 100 dB (monochrome only)**
- **Analog and digital gain control for less quantized noise in low-light situations**
- **Exposure control from 10 μs (1/100,000) to 8 seconds in 1 μs steps**
- **2X and 4X binning for increased sensitivity (monochrome only)**
- **Single and multi-ROI modes for flexible windowing and use of 2/3" or smaller optics**
- **Automatic Level Control (ALC) for dynamic lighting conditions**
- **Accepts power over Mini Camera Link connectors**
- **C-mount lens mount**

Specifications for GO-5000-PMCL

Go Series

Specifications	GO-5000-PMCL
Sensor	1" CMOS global shutter (Lince 5M)
Pixel clock	36/28.8/24 MHz
Frame rate, full frame	107 frames/sec. (8-bit, 8-tap, full CL)
Active area	12.8 mm (h) x 10.24 mm (v), 16.39 mm diagonal
Cell size	5.0 μm (h) x 5.0 μm (v)
Active pixels	2560 (h) x 2048 (v)
Read-out modes	2560 (h) x 2048 (v) up to 107 fps
Full ROI (mono)	Any start line, any height in 1 line steps, with X offset and width in 8 pixel steps
ROI (RGB)	Any start line, any height, in 2L steps with X offset and width in 8 pixel steps
Binning	1x2, 2x1, 1x4, 4x1, 2x2, 2x4, 4x2, 4x4 (mono only)
EMVA 1288 Parameters	10-bit output format
Absolute sensitivity (mono)	20.17 p (λ = 525 nm)
Absolute sensitivity (color)	51.25 p (λ = 525 nm)
Maximum SNR (mono)	41.30 dB
Maximum SNR (color)	38.12 dB
Traditional SNR*	mono >55 dB (0 dB gain, non-linear) color >53 dB (0 dB gain, green, non-linear)
Video signal output	mono 8/10/12-bit monochrome color 8/10/12-bit Bayer
Gain (digital)	Manual/automatic 0 dB to +24 dB
Gain (analog)	x1, x2, x4 (mono or individual Bayer channels)
White balance (GO-5000C)	Manual, one-push auto, or continuous (3000K to 9000K)
Gamma	0.45, 0.6, 1.0 or 32-point LUT
Synchronization	Internal
Trigger input	TTL, CL, Pulse Generator, Software, NANDo, NAND1
Trigger modes	EPS, Trigger Width, Timed RCT (with ALC)
Electronic shutter	
Timed exposure	10 μs to 8 sec in 1 μs steps
Auto shutter	1/107 to 1/100,000 sec.
Auto Level Control (ALC)	Shutter range from 1/107 to 1/100,000, gain range from 0 dB to +24 dB Tracking speeds and max values adjustable.
Pre-processing functions	Flat field correction, color shading correction (GO-5000C), blemish compensation (512 pixels)
High Dynamic Range mode (HDR)	4 user-selectable knee slopes – 70/80/90/100 dB (monochrome only)
Operating temperature	-5°C to +45°C
Storage temperature	-25°C to +60°C
Humidity	20 - 80% non-condensing
Vibration	10 G (20Hz to 200Hz XYZ, 20 mins.)
Shock	80 G
Regulations	CE (EN61000-6-2, EN61000-6-3), FCC Part 15 class B, RoHS/WEEE
Power	Power over Mini-CL. 3.0W typical (full frame @ 12V)
Lens mount	C-mount
Dimensions (H x W x L)	29 mm x 29 mm x 41.5 mm (excluding lens mount)
Weight	46 g

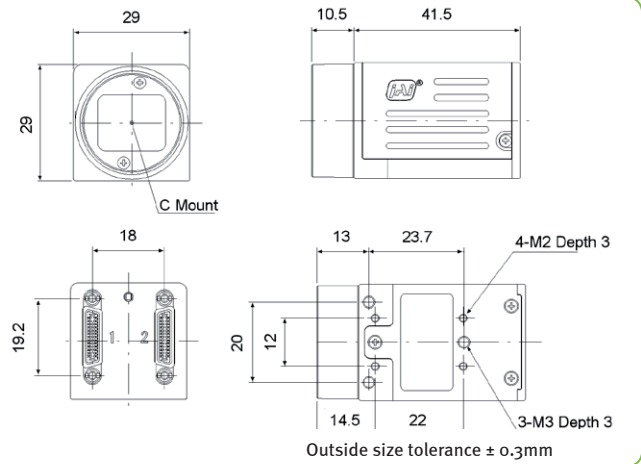
Ordering Information

GO-5000M-PMCL	Monochrome camera with Mini Camera Link
GO-5000C-PMCL	Color camera with Mini Camera Link

Also to be offered with:
GigE Vision (PoE) – 22 fps max. @ 8-bit
USB3 Vision – 62 fps max. @ 8-bit

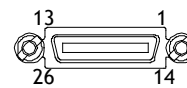
*Traditional SNR is based on random noise in a single frame, where EMVA SNR measurements consider more comprehensive noise sources and variance over time. For a more complete description, see the manual.

Dimensions



Connector pin-out

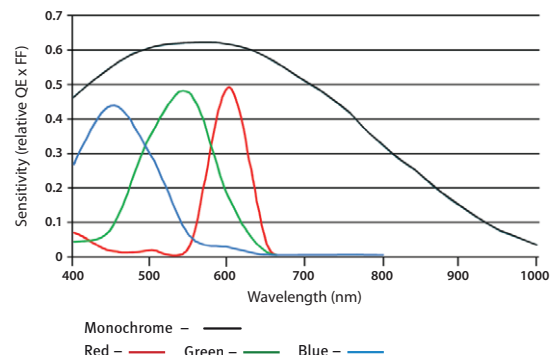
Mini-CL interface Interface 1



Pin	Signal	Function
1	26	Power +12V to +24V DC in
13	14	GND Power return
2	15	-/+ TxOUT 0
3	16	-/+ TxOUT 1
4	17	-/+ TxOUT 2
5	18	-/+ TxClk
6	19	-/+ TxOUT 3
7	20	+/- RXD Serial in
8	21	-/+ TXD Serial out
9	22	CC1-/CC1+ Ext. trigger
10	23	CC2-/CC2- Reserved
11	24	CC3-/CC3+ Not used
12	25	CC4-/CC4- Not used

For Medium and Full implementations a second Mini-CL interface is provided. Video Channel 2 is on pin pairs (2,15), (3,16), (4,17), (5,18), and (6,19). Video Channel 3 is on pin pairs (8,21), (9,22), (10,23), (11,24), and (12,25). Consult manual for specific bit depths and pin assignments.

Spectral Response



Note: Color response includes IR-cut filter.

Company and product names mentioned in this datasheet are trademarks or registered trademarks of their respective owners. JAI AS cannot be held responsible for any technical or typographical errors and reserves the right to make changes to products and documentation without prior notification.

