

UV-3013XC-C



Specification

Sensor

Sensor Technology	CMOS Color
Manufacturer	Sony
Resolution (h x v)	4192 x 3104
Pixel Class	13 MP
Sensor Size	1/2.45
Sensor Model	FCB-MA130
Pixel size	1.4 µm
Optical Size	5.900 mm x 4.400 mm
Optical sensor diagonal	7.36 mm (1/2.17")

Design

Interface	USB 3
Lens Mount	-
IP code	IP30
Dimensions H/W/L	60.9 mm x 31.9 mm x 19.0 mm
Mass	42 g
Power supply	USB Cable

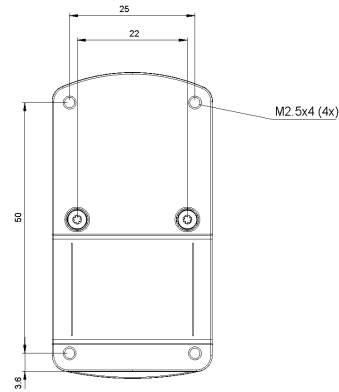
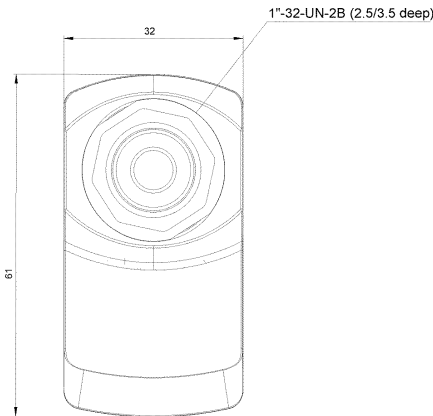
Streamingmodes

Codec	Resolution	Frames per second
YUV	1920x1080	30
YUV	1600x1200	30
YUV	1280x720	30
YUV	1280x960	30
YUV	1024x768	30
YUV	800x480	30
YUV	640x480	30

UV-3013XC-C

Features

	Minimum	Maximum	Default
Brightness	0	15	0
Contrast	0	16	8
Hue	-128	127	0
Saturation	0	64	32
Sharpness	0	16	8
Gamma			
Whitebalance			automatic
Amplify			
Denoise			
Exposure	-13	4	automatic
Frequency	50	60	50



UV-3013XC-C

