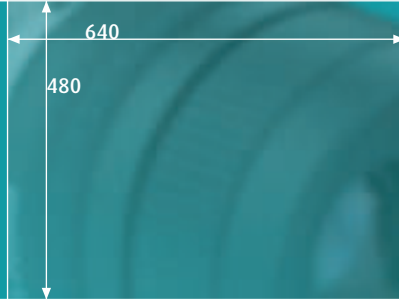
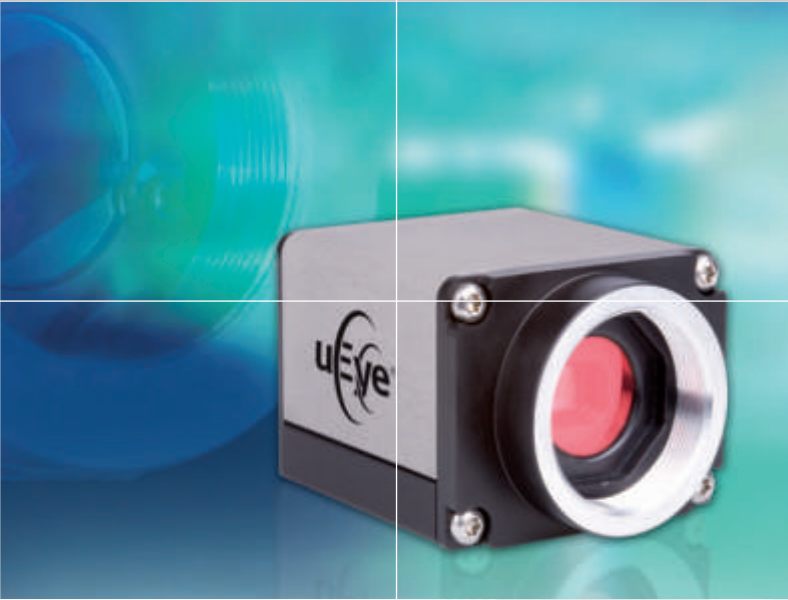


adept electronic

adept electronic solutions

The Machine Vision and Imaging Specialists

Perth: +61 (08) 9242 5411
Sydney: +61 (02) 9979 2599
Melbourne: +61 (03) 9555 5621
Email: adept@adept.net.au
Web: <http://www.adept.net.au>



iDS

GigE uEye[®] UI-6410SE-C/M

VGA Camera with 1/3" CCD Sensor

GigE uEye® SE UI-6410SE-M / UI-6410SE-C



The characteristics at a glance

Gigabit Ethernet
CCD (Sony)
UI-6410SE-C
UI-6410SE-M

Interface
Sensor Technology
Model description (color)
Model description (Mono)
Resolution (h x v)
Resolution Category / Pixel Class

640 x 480
VGA

Sensor size
Shutter

1/3"
Global

max. fps in Freerun Mode at full resolution
max. fps in SW Trigger Mode at 1 ms exposure

75 fps
64 fps

Exposuretime in Freerun Mode
Exposuretime in Trigger Mode

40 µs - 640 ms
40 µs - 10 min

AOI Modes
AOI with 320 x 240 Pixels (CIF)

H + V²
111 fps

Subsampling Modes
Subsampling Factors
Resolution, fps

-
-
-

Binning Modes
Binning Method

H + V² (Mono)
H + V: Sum

Binning Factors
Resolution, fps

x2, x3, x4
320 x 240, 133 fps
212 x 160, 178 fps
160 x 120, 215 fps
18x

Mono: Maximum Gain
Color: Maximum Gain RGB/Master
Additional Gain Boost with Factor

4x /12x
2x (Mono)

Sensor Model
Pixel Clock

ICX424
5 - 30 MHz

Pixelpitch in µm
Full Well Capacity
Optical Size
Aspect Ratio
Exact Real Diagonal

7,4
24.000 e-
4,74 x 3,55 mm
4:3
5,9 mm, 1/2,7"

In scope of delivery:

Powerful, easy to handle uEye SDK
uEye Demo and Programexamples executable and Source Code.
uEye Camera Manager
TWAIN, Active-X and Direct Show (WDM) drivers
Interfaces for Activision Tools, Common Vision Blox, HALCON, LabVIEW and Neurocheck
GeniCam™ Interface

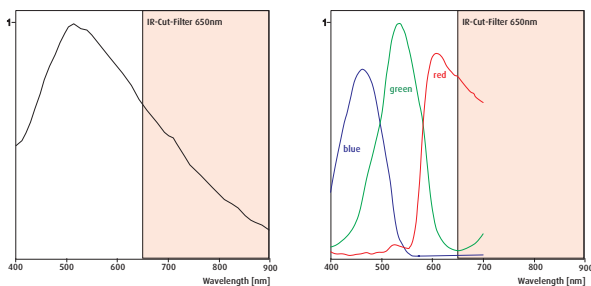
² = Use increases frame rate
* = in preparation

Driver for Windows 2000, XP, VISTA and Linux*



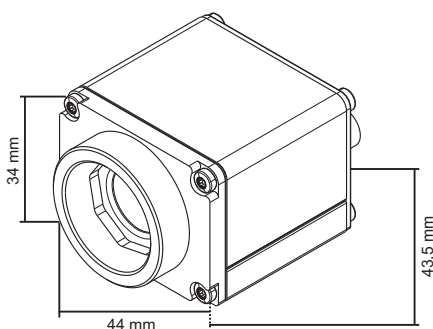
The GigE uEye® SE family

The GigE uEye® SE extends the broad range of uEye® industrial cameras by very compact models with Gigabit Ethernet interface, specially tailored to the needs of plant and machinery manufacturers. The bandwidth is 2.5 times higher than with USB and cable lengths up to 100 m are possible.



Sensor Characteristics UI-6410SE-M

UI-6410SE-C



Dimensions GigE uEye SE CCD-Model