

**iDS**



1024

768

GigE uEye<sup>®</sup> UI-6230SE-C/M

XGA Camera with 1/3" CCD Sensor

## GigE uEye® SE UI-6230SE-M / UI-6230SE-C



### The characteristics at a glance

Gigabit Ethernet  
CCD (Sony)  
UI-6230SE-C  
UI-6230SE-M

1024 x 768  
XGA

1/3"  
Global

30 fps

27 fps

66 µs - 1 s  
66 µs - 10 min

H + V<sup>2</sup>  
78 fps

-  
-  
-

H + V<sup>2</sup> (Mono)  
H + V: Sum

x2, x4  
512 x 384, 53 fps  
340 x 256, 71 fps  
256 x 192, 85 fps  
10,47x  
4x / 7,59x  
2x (Mono)

ICX204  
5 - 30 MHz

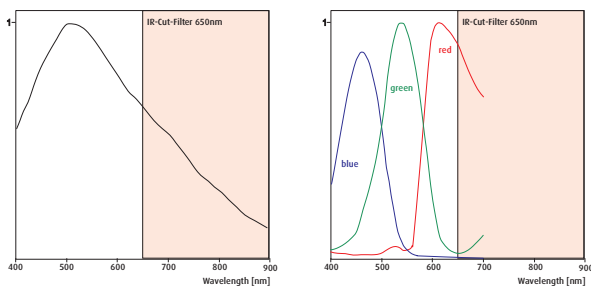
4,65  
12.000 e-  
4,76 x 3,57 mm  
4:3  
6,0 mm, 1/2,7"

<sup>2</sup> = Use increases frame rate  
<sup>\*</sup> = in preparation



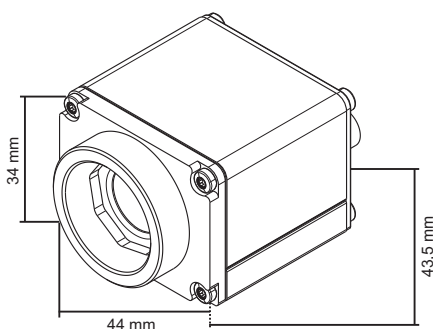
### The GigE uEye® SE family

The GigE uEye® SE extends the broad range of uEye® industrial cameras by very compact models with Gigabit Ethernet interface, specially tailored to the needs of plant and machinery manufacturers. The bandwidth is 2.5 times higher than with USB and cable lengths up to 100 m are possible.



Sensor Characteristics UI-6230SE-M

UI-6230SE-C



Dimensions GigE uEye SE CCD-Model

Interface  
Sensor Technology  
Model description (color)  
Model description (Mono)  
Resolution (h x v)  
Resolution Category / Pixel Class

Sensor size  
Shutter

max. fps in Freerun Mode at full resolution  
max. fps in SW Trigger Mode at 1 ms exposure

Exposuretime in Freerun Mode  
Exposuretime in Trigger Mode

AOI Modes  
AOI with 320 x 240 Pixels (CIF)

Subsampling Modes  
Subsampling Factors  
Resolution, fps

Binning Modes  
Binning Method

Binning Factors  
Resolution, fps

Mono: Maximum Gain  
Color: Maximum Gain RGB/Master  
Additional Gain Boost with Factor

Sensor Model  
Pixel Clock

Pixelpitch in µm  
Full Well Capacity  
Optical Size  
Aspect Ratio  
Exact Real Diagonal

In scope of delivery:

Powerful, easy to handle uEye SDK  
uEye Demo and Programexamples executable and Source Code.  
uEye Camera Manager  
TWAIN, Active-X and Direct Show (WDM) drivers  
Interfaces for Activision Tools, Common Vision Blox, HALCON, LabVIEW and Neurocheck  
GeniCam™ Interface

Driver for Windows 2000, XP, VISTA and Linux<sup>\*\*</sup>