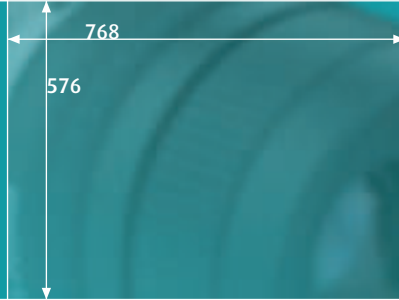


adept electronic

adept electronic solutions

The Machine Vision and Imaging Specialists

Perth: +61 (08) 9242 5411
Sydney: +61 (02) 9979 2599
Melbourne: +61 (03) 9555 5621
Email: adept@adept.net.au
Web: <http://www.adept.net.au>



iDS

GigE uEye[®] UI-6220SE-C/M

CCIR Camera with 1/2" CCD Sensor

GigE uEye® SE UI-6220SE-M / UI-6220SE-C



The characteristics at a glance

Gigabit Ethernet
CCD (Sony)
UI-6220SE-C
UI-6220SE-M

768 x 576
CCIR

1/2"
Global

52 fps

47 fps

50 µs - 770 ms
50 µs - 10 min

H + V²
97 fps

-
-
-

H + V² (Mono)
H + V: Additiv

x2, x3, x4
384 x 288, 90 fps
256 x 192, 121 fps
192 x 144, 143 fps
14x
4x /8,9x
2x (Mono)

ICX415
5 - 30 MHz

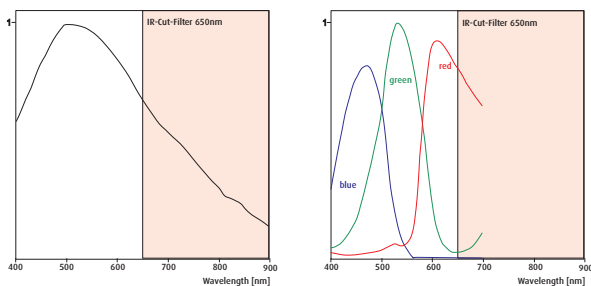
8,3
25.000 e-
6,37 x 4,78 mm
4:3
8,0 mm, 1/2,0"

² = Use increases frame rate
* = in preparation



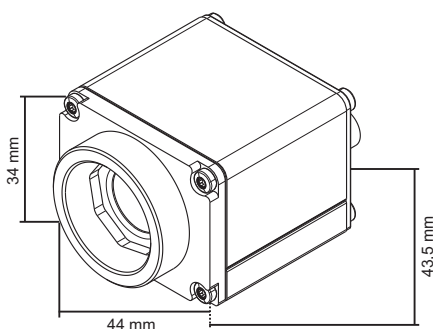
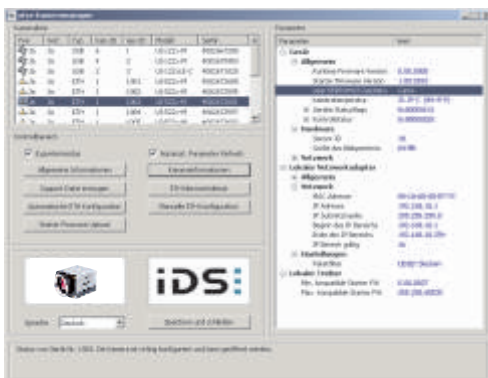
The GigE uEye® SE family

The GigE uEye® SE extends the broad range of uEye® industrial cameras by very compact models with Gigabit Ethernet interface, specially tailored to the needs of plant and machinery manufacturers. The bandwidth is 2.5 times higher than with USB and cable lengths up to 100 m are possible.



Sensor Characteristics UI-6220SE-M

UI-6220SE-C



Dimensions GigE uEye SE CCD-Model

Interface
Sensor Technology
Model description (color)
Model description (Mono)
Resolution (h x v)
Resolution Category / Pixel Class

Sensor size
Shutter

max. fps in Freerun Mode at full resolution
max. fps in SW Trigger Mode at 1 ms exposure

Exposuretime in Freerun Mode
Exposuretime in Trigger Mode

AOI Modes
AOI with 320 x 240 Pixels (CIF)

Subsampling Modes
Subsampling Factors
Resolution, fps

Binning Modes
Binning Method

Binning Factors
Resolution, fps

Mono: Maximum Gain
Color: Maximum Gain RGB/Master
Additional Gain Boost with Factor

Sensor Model
Pixel Clock

Pixelpitch in µm
Full Well Capacity
Optical Size
Aspect Ratio
Exact Real Diagonal

In scope of delivery:

Powerful, easy to handle uEye SDK
uEye Demo and Programexamples executable and Source Code.
uEye Camera Manager
TWAIN, Active-X and Direct Show (WDM) drivers
Interfaces for Activision Tools, Common Vision Blox, HALCON, LabVIEW and Neurocheck
GeniCam™ Interface

Driver for Windows 2000, XP, VISTA and Linux^{2*}