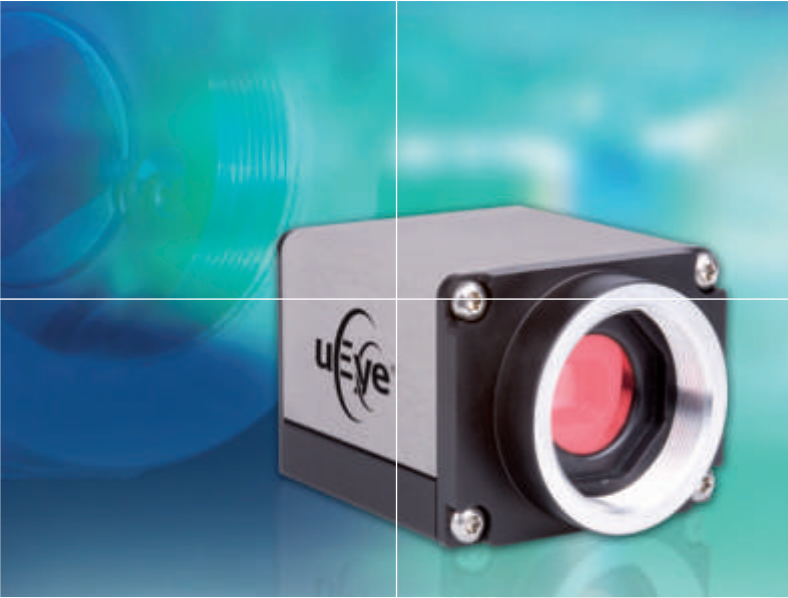


adept
electronic solutions

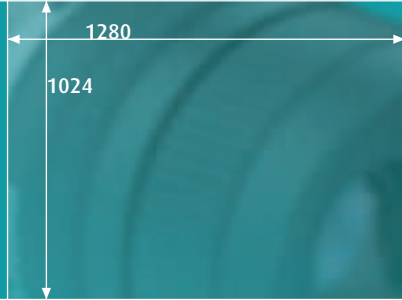
**adept
electronic solutions**

**The Machine Vision and
Imaging Specialists**

Perth: +61 (08) 9242 5411
Sydney: +61 (02) 9979 2599
Melbourne: +61 (03) 9555 5621
Email: adept@adept.net.au
Web: <http://www.adept.net.au>



iDS



GigE uEye[®] UI-5640SE-C

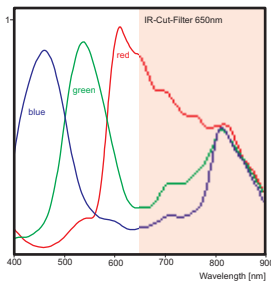
1.3 Megapixels SXGA Camera with 1/3" CMOS Sensor

GigE uEye® SE UI-5640SE-C



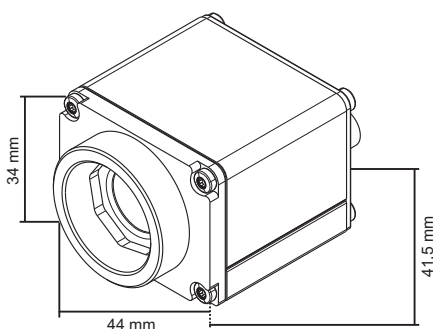
The GigE uEye® SE family

The GigE uEye® SE extends the broad range of uEye® industrial cameras by very compact models with Gigabit Ethernet interface, specially tailored to the needs of plant and machinery manufacturers. The bandwidth is 2.5 times higher than with USB and cable lengths up to 100 m are possible.



Sensor characteristics

UI-5640SE-C



Dimensions GigE uEye SE CMOS-Model

The characteristics at a glance

Interface	Gigabit Ethernet
Sensor Technology	CMOS
Model description (color)	UI-5640SE-C
Model description (Mono)	-
Resolution (h x v)	1280 x 1024
Resolution Category / Pixel Class	SXGA
Sensor size	1/3"
Shutter	Rolling
max. fps in Freerun Mode at full resolution	25 fps
max. fps in SW Trigger Mode at 1 ms exposure	21 fps
Exposuretime in Freerun Mode	38 µs - 10,1 s
Exposuretime in Trigger Mode	38 µs - 10,1 s
AOI Modes	H ² + V ²
AOI with 640 x 480 Pixels	262 fps
Subsampling Modes	H ² + V ²
Subsampling Factors	x2, x4
Resolution, fps, e. g.	640 x 512, 83 fps 320 x 256, 248 fps
Binning Modes	-
Binning Method	-
Binning Factors	-
Resolution, fps, e. g.	-
Mono: Maximum Gain	-
Color: Maximum Gain RGB/Master	3,1x/3x
Additional Gain Boost with Factor	2x
Sensor Model	MT9M131
Pixel Clock	5 - 40 (40) MHz
Pixelpitch in µm	3,6
Full Well Capacity	25,000 e-
Optical Size	4,61 x 3,69 mm
Aspect Ratio	5:4
Exact Real Diagonal	5,9 mm, 1/2,7"

In scope of delivery:

Powerful, easy to handle uEye SDK
uEye Demo and Programexamples
executable and Source Code.
uEye Camera Manager
TWAIN, Active-X and Direct Show
(WDM) drivers
Interfaces for Activision Tools,
Common Vision Blox, HALCON,
LabVIEW and Neurocheck
GenICam™ Interface

Driver for Windows 2000, XP, VISTA
and Linux*

² = Use increases frame rate

* = in preparation