



adept electronic

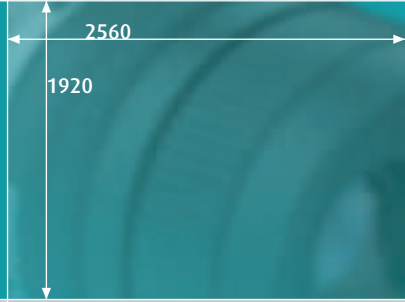
adept electronic solutions

The Machine Vision and Imaging Specialists

Perth: +61 (08) 9242 5411
Sydney: +61 (02) 9979 2599
Melbourne: +61 (03) 9555 5621
Email: adept@adept.net.au
Web: http://www.adept.net.au



iDS



GigE uEye[®] UI-5480SE-C/M

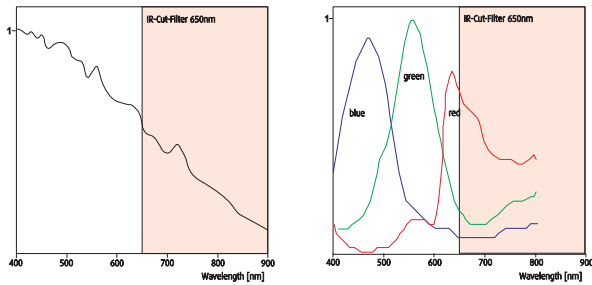
5 Megapixels QSXGA Camera with 1/2" CMOS Sensor

GigE uEye® SE UI-5480SE-C/M



The GigE uEye® SE family

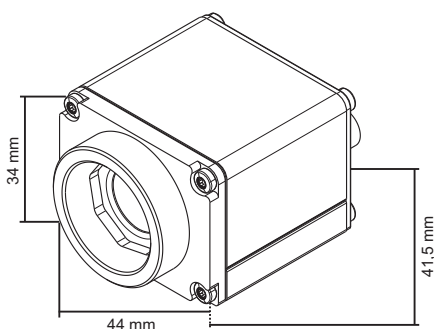
The GigE uEye® SE extends the broad range of uEye® industrial cameras by very compact models with Gigabit Ethernet interface, specially tailored to the needs of plant and machinery manufacturers. The bandwidth is 2.5 times higher than with USB and cable lengths up to 100 m are possible.



Sensor characteristics

UI-5480SE-M

UI-5480SE-C



Dimensions GigE uEye SE CMOS-Model

The characteristics at a glance

Interface	Gigabit Ethernet
Sensor Technology	CMOS
Model description (color)	UI-5480SE-C
Model description (Mono)	UI-5480SE-M
Resolution (h x v)	2560 x 1920
Resolution Category / Pixel Class	QXSGA/5 MP
Sensor size	1/2"
Shutter	Rolling/Global Start
max. fps in Freerun Mode at full resolution	7,04 fps
max. fps in SW Trigger Mode at 1 ms exposure	6,57 fps
Exposuretime in Freerun Mode	67 µs - 3,43 s
Exposuretime in Trigger Mode	67 µs - 3,43 s
AOI Modes	H ² + V ²
AOI with 640 x 480 Pixels	58 fps
Subsampling Modes	H ² + V ²
Subsampling Factors	x2 - x6
Resolution, fps, e. g.	1280 x 960, 28 fps 640 x 480, 110 fps
Binning Modes	H ² + V ² (color)
Binning Method	H: Sum V: Average
Binning Factors	x2, x3, x4, x6
Resolution, fps, e. g.	1280 x 960, 21 fps Color: 640 x 480, 47 fps
Mono: Maximum Gain	30x
Color: Maximum Gain RGB/Master	6,5x/12x
Additional Gain Boost with Factor	Color: 1,6x
Sensor Model	MT9P031
Pixel Clock	4 - 48 (100) MHz
Pixelpitch in µm	2,2
Full Well Capacity	12.000 e-
Optical Size	5,63 x 4,22 mm
Aspect Ratio	4:3
Exact Real Diagonal	7,0 mm, 1/2,3"

In scope of delivery:

Powerful, easy to handle uEye SDK
uEye Demo and Programexamples
executable and Source Code.
uEye Camera Manager
TWAIN, Active-X and Direct Show
(WDM) drivers
Interfaces for Activision Tools,
Common Vision Blox, HALCON,
LabVIEW and Neurocheck
GenICam™ Interface

Driver for Windows 2000, XP, VISTA
and Linux*

² = Use increases frame rate

* = in preparation