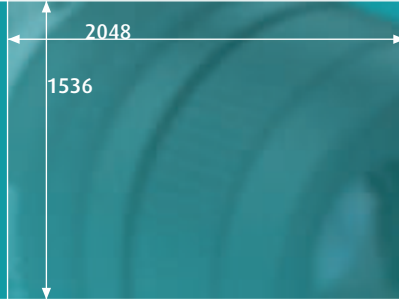
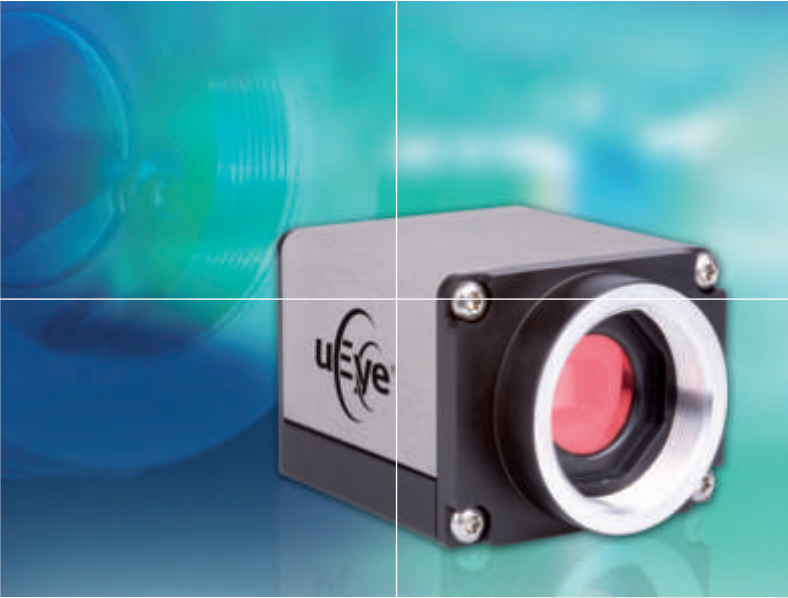


adept electronic

**adept  
electronic solutions**

**The Machine Vision and  
Imaging Specialists**

Perth: +61 (08) 9242 5411  
Sydney: +61 (02) 9979 2599  
Melbourne: +61 (03) 9555 5621  
Email: adept@adept.net.au  
Web: <http://www.adept.net.au>



**iDS**

**GigE uEye® UI-5460SE-C**

**3.2 Megapixels SUXGA Camera with 1/2" CMOS Sensor**

## GigE uEye® SE UI-5460SE-C



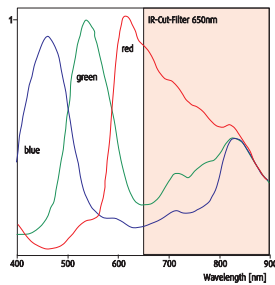
### The characteristics at a glance

Interface	Gigabit Ethernet
Sensor Technology	CMOS
Model description (color)	UI-5460SE-C
Model description (Mono)	-
Resolution (h x v)	2048 x 1536
Resolution Category / Pixel Class	SUXGA/3,2 MP
Sensor size	1/2"
Shutter	Rolling
max. fps in Freerun Mode at full resolution	12 fps
max. fps in SW Trigger Mode at 1 ms exposure	10,8 fps
Exposuretime in Freerun Mode	53 µs - 2,91 s
Exposuretime in Trigger Mode	53 µs - 1,25 ms
AOI Modes	H <sup>2</sup> + V <sup>2</sup>
AOI with 640 x 480 Pixels	86 fps
Subsampling Modes	H <sup>2</sup> + V <sup>2</sup>
Subsampling Factors	x2 - x8
Resolution, fps, e. g.	1024 x 768, 44 fps 512 x 384, 153 fps
Binning Modes	H <sup>2</sup> + V <sup>2</sup>
Binning Method	H: Sum V: Average
Binning Factors	x2, x3, x4, x6
Resolution, fps, e. g.	1024 x 768, 35 fps 512 x 384, 71 fps
Mono: Maximum Gain	-
Color: Maximum Gain RGB/Master	7,25x/12x
Additional Gain Boost with Factor	2x
Sensor Model	MT9T001
Pixel Clock	3 - 46 (59) MHz
Pixelpitch in µm	3,2
Full Well Capacity	20.000 e-
Optical Size	6,55 x 4,92 mm
Aspect Ratio	4:3
Exact Real Diagonal	8,2 mm, 1/2,0"



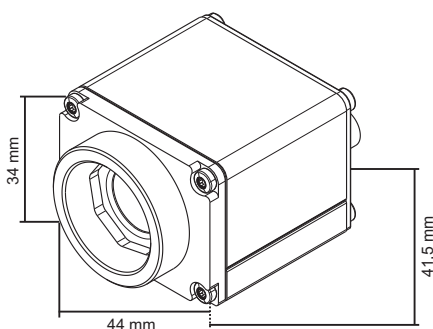
### The GigE uEye® SE family

The GigE uEye® SE extends the broad range of uEye® industrial cameras by very compact models with Gigabit Ethernet interface, specially tailored to the needs of plant and machinery manufacturers. The bandwidth is 2.5 times higher than with USB and cable lengths up to 100 m are possible.



Sensor characteristics

UI-5460SE-C



Dimensions GigE uEye SE CMOS-Model

Interface  
Sensor Technology  
Model description (color)  
Model description (Mono)

Resolution (h x v)  
Resolution Category / Pixel Class

Sensor size  
Shutter

max. fps in Freerun Mode  
at full resolution  
max. fps in SW Trigger Mode  
at 1 ms exposure

Exposuretime in Freerun Mode  
Exposuretime in Trigger Mode

AOI Modes  
AOI with 640 x 480 Pixels

Subsampling Modes  
Subsampling Factors  
Resolution, fps, e. g.

Binning Modes  
Binning Method

Binning Factors  
Resolution, fps, e. g.

Mono: Maximum Gain  
Color: Maximum Gain RGB/Master  
Additional Gain Boost with Factor

Sensor Model  
Pixel Clock

Pixelpitch in µm  
Full Well Capacity  
Optical Size  
Aspect Ratio  
Exact Real Diagonal

In scope of delivery:  
Powerful, easy to handle uEye SDK  
uEye Demo and Programexamples  
executable and Source Code.  
uEye Camera Manager  
TWAIN, Active-X and Direct Show  
(WDM) drivers  
Interfaces for Activision Tools,  
Common Vision Blox, HALCON,  
LabVIEW and Neurocheck  
GenICam™ Interface

Driver for Windows 2000, XP, VISTA  
and Linux\*

² = Use increases frame rate

\* = in preparation