

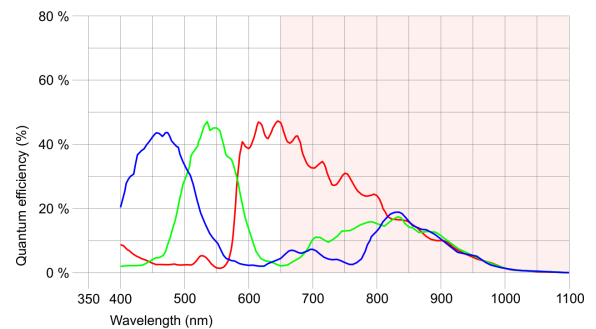
## UI-5370CP-C-HQ



## Specification

### Sensor

Sensor Technology	CMOS Color
Manufacturer	CMOSIS
Resolution (MPix)	4.00
Resolution (h x v)	2048 x 2048
Color depth (sensor)	12 bit
Color depth (camera)	12 bit
Pixel Class	4 MP
Sensor Size	1"
Shutter	Global shutter
max. fps in Freerun Mode	19.0
Binning Modes	-
Subsampling Modes	M/C automatic
Sensor Model	CMV4000-3E5C1PP
Pixel size	5.5 µm
Optical Size	11.264 mm x 11.264 mm
Optical sensor diagonal	15.93 mm (1/1")



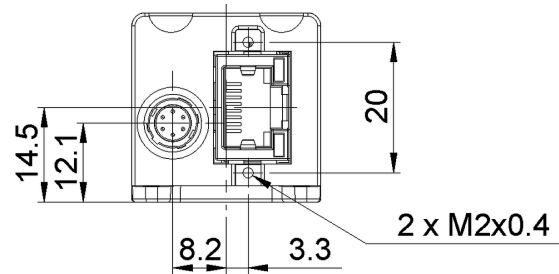
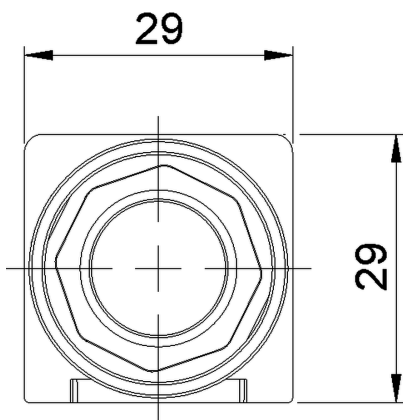
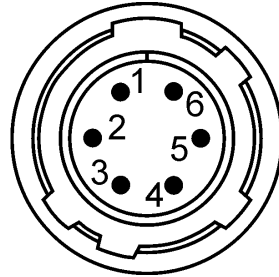
### Design

Interface	GigE
Lens Mount	C-Mount
I/O In	1 x optodecoupled
I/O Out	1 x optodecoupled
I/O RS-232	-
I/O GPIO	-
I/O I <sup>2</sup> C	-
IP code	IP30
Dimensions H/W/L	29.0 mm x 29.0 mm x 40.5 mm
Mass	61 g
Power supply	12V - 24V or PoE

## UI-5370CP-C-HQ

### Pin assignment I/O connector

1	Ground (GND)
2	Power supply (VCC) 12-24V
3	Digital input (-)
4	Digital input (+)
5	Digital output (+)
6	Digital output (-)



## UI-5370CP-C-HQ

