

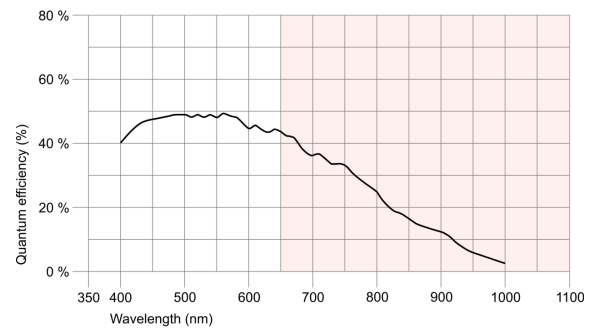
## UI-5250SE-M-GL Rev.2



## Specification

### Sensor

Sensor Technology	CMOS Mono
Manufacturer	e2v
Resolution (h x v)	1600 x 1200
Color depth (sensor)	10 bit
Color depth (camera)	12 bit
Pixel Class	2 MP
Sensor Size	1/1.8"
Shutter	Rolling shutter/Global shutter/Global start shutter
max. fps in Freerun Mode	35.6
Binning Modes	M/C automatic
Subsampling Modes	-
Sensor Model	EV76C570ABT
Pixel size	4.5 µm
Optical Size	7.200 mm x 5.400 mm

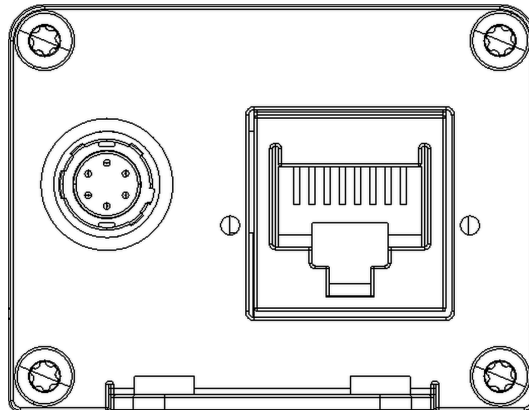
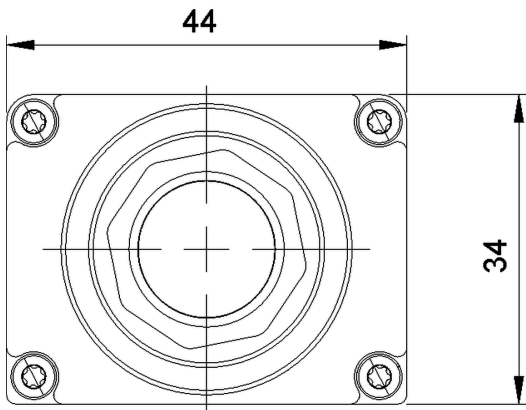
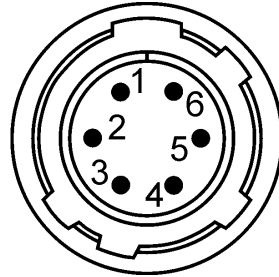


### Design

Interface	GigE
Lens Mount	C-Mount
I/O In	1 x Opto-decoupled
I/O Out	1 x Opto-decoupled
I/O RS-232	-
I/O GPIO	-
I/O I2C	-
IP code	IP30
Dimensions H/W/L	34.0 mm x 44.0 mm x 49.8 mm
Mass	102 g
Power supply	12V - 24V

### Pin assignment I/O connector

1	Ground (GND)
2	Power supply (VCC)
3	Digital input (-)
4	Digital input (+)
5	Digital output (+)
6	Digital output (-)



## UI-5250SE-M-GL Rev.2

