



adept electronic

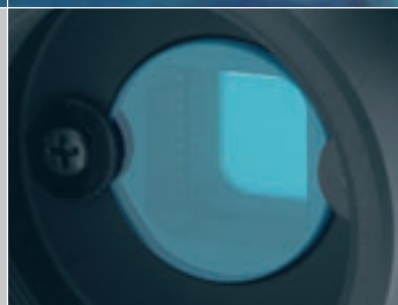
adept electronic solutions

The Machine Vision and Imaging Specialists

Perth: +61 (08) 9242 5411
Sydney: +61 (02) 9979 2599
Melbourne: +61 (03) 9555 5621
Email: adept@adept.net.au
Web: <http://www.adept.net.au>



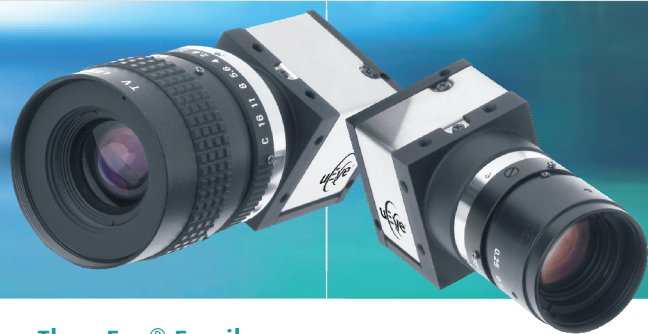
iDS



uEye[®] UI-1640-C

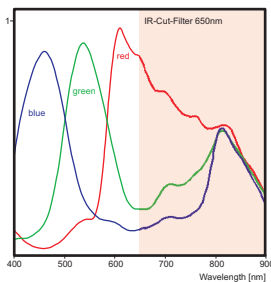
1,3 Mega pixels SXGA Camera with 1/3" CMOS Sensor

uEye® UI-1640-C



The uEye® Family

uEye® stands for a family of extremely compact, low-cost cameras for professional use in automation, quality assurance, security technology and non-industrial applications. Through the use of the widespread USB technology, the cameras can be interfaced with a vast variety of systems without any problems.

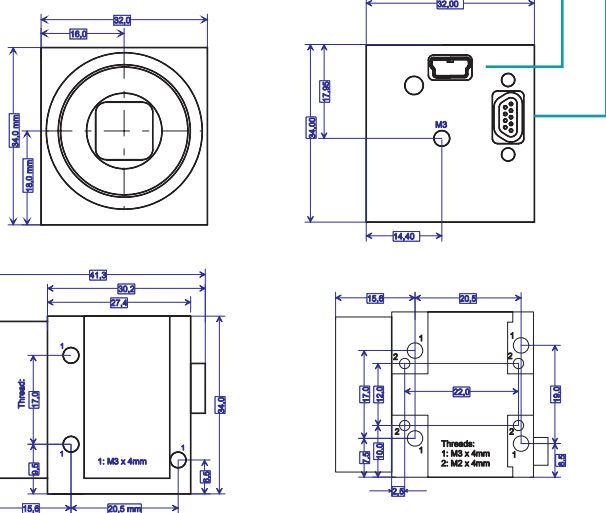


Sensor characteristics

UI-1640-C

Screw-mounted Micro Sub-D connector for USB, Trigger and Digital-Out

Conventional USB Mini-B connector



Dimensions: uEye® CMOS models without memory.
The depth of the memory models housing is +7mm

The characteristics at a glance

Interface	USB 2.0
Sensor Technology	CMOS
Model description (color)	UI-1640-C
Model description (Mono)	-
Resolution (h x v)	1280 x 1024
Resolution Category / Pixel Class	SXGA
Sensor size	1/3"
Shutter	Rolling
max. fps in Freerun Mode at full resolution	25 fps
max. fps in SW Trigger Mode at 1 ms exposure	23 fps
Exposuretime in Freerun Mode	37 µs - 10 ms
Exposuretime in Trigger Mode	37 µs - 10 ms
AOI Modes	H ² + V ²
AOI with 320 x 240 Pixels (CIF)	265 fps
Subsampling Modes	H ² + V ²
Subsampling Factors	x2, x4
Resolution, fps	640 x 512, 85 fps 320 x 256, 254 fps
Binning Modes	-
Binning Method	-
Binning Factors	-
Resolution, fps	-
Mono: Maximum Gain	-
Farbe: Maximum Gain RGB/Master	in preparation
Additional Gain Boost with Factor	-
Sensor Model	MT9M131
Pixel Clock	5 - 40 MHz
Pixelpitch in µm	3,6
Full Well Capacity	in preparation
Optical Size	4,61 x 3,69 mm
Aspect Ratio	5:4
Exact Real Diagonal	5,9 mm, 1/2,7"
Current consumption at 5 V	90 - 160 mA

² = Use increases frame rate

In scope of delivery:

Powerful, easy to handle uEye SDK
uEye Demo and Programexamples executable and Source Code.
TWAIN, Active-X and Direct Show (WDM) drivers
Interfaces for Activision Tools, Common Vision Blox, HALCON, LabVIEW and Neurocheck

Driver for Windows 2000, XP, VISTA and Linux - WindowsCE on request