

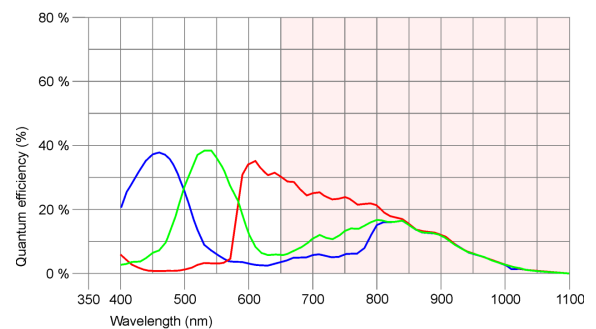
UI-1250ML-C-HQ



Specification

Sensor

Sensor Technology	CMOS Color
Manufacturer	e2v
Resolution (h x v)	1600 x 1200
Color depth (sensor)	10 bit
Color depth (camera)	8 bit
Pixel Class	2 MP
Sensor Size	1/1.8"
Shutter	Rolling shutter/Global shutter/Global start shutter
max. fps in Freerun Mode	17.6
Binning Modes	M/C automatic
Subsampling Modes	-
Sensor Model	EV76C570ACT
Pixel size	4.5 µm
Optical Size	7.200 mm x 5.400 mm



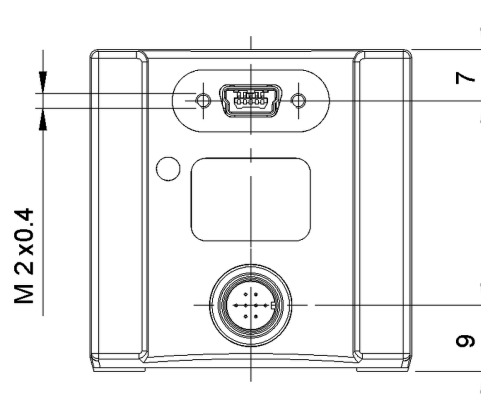
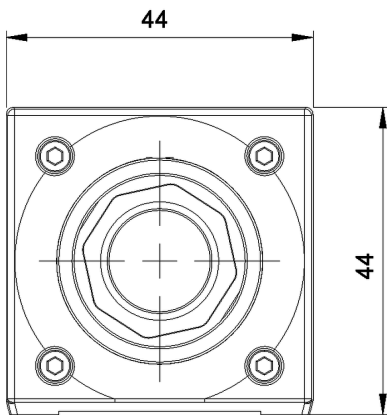
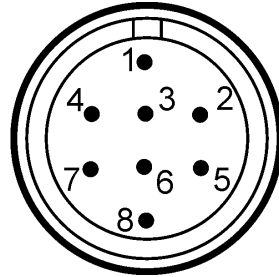
Design

Interface	USB 2
Lens Mount	CS- / C-Mount
I/O In	1 x Opto-decoupled
I/O Out	1 x Opto-decoupled
I/O RS-232	-
I/O GPIO	2
I/O I2C	1
IP code	IP30
Dimensions H/W/L	44.0 mm x 44.0 mm x 28.0 mm
Mass	37 g
Power supply	USB Cable

UI-1250ML-C-HQ

Pin assignment I/O connector

1	Ground (GND)
2	Flash output, opto-decoupled (-)
3	GPIO1
4	Trigger input, opto-decoupled (-)
5	Flash output, opto-decoupled (+)
6	GPIO2
7	Trigger input, opto-decoupled (+)
8	not connected



UI-1250ML-C-HQ

