

## Falcon 4M30

Area Scan Cameras



### Overview

Global shutter technology, 31 fps, and 4 megapixels of resolution.

#### Key Features

- 4 megapixels
- 31 fps
- Global electronic shutter with exposure control
- Flat field correction (FFC)
- 1000x antiblooming
- Faster frame rates through vertical windowing
- High speed 10m data transmission
- Snapshot modes

#### Programmability

- Adjustable integration time and frame rate
- Analog offset control
- Adjustable digital gain
- 8 or 10 bit selectable output
- Test pattern and camera diagnostics

#### Typical Applications

- Electronics manufacturing – AOI, pick and place, and solder paste inspection
- Semiconductor wafer inspection
- Intelligent traffic systems
- Flat panel display inspection
- General machine vision

Perfect for electronics manufacturing and semiconductor inspection, the Falcon 4M30 cameras use DALSA's patented CMOS sensor technology capable of global shuttering and 31 fps at full 4 megapixel resolution.

The 4M30 uses a global shutter to eliminate the imaging issues often associated with full frame, frame transfer, or rolling shutter cameras, such as smearing or time displacement artifacts.

Fully programmable with a Base or Medium Camera Link interface, the cameras incorporate exposure control, gain and offset adjustment and 1000x antiblooming. Additionally, the camera's powerful flat field correction (FFC) creates individual gain and offset coefficients for each pixel, eliminating FPN, PRNU, and other non-uniformities.

With features like these, this camera should be your definitive choice for area based systems.

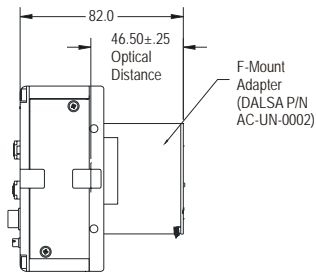
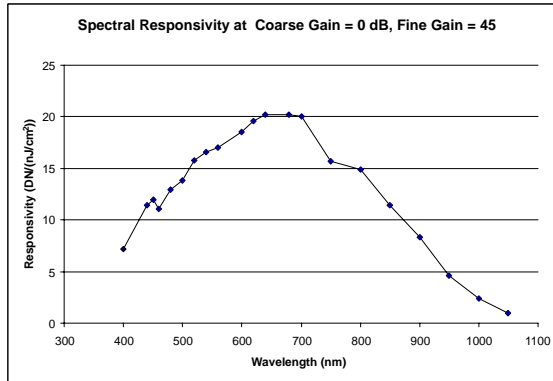
#### Specifications

Resolution	2352 x 1728
Data Rate	2 x 80 MHz
Max. Line/Frame Rate	31 fps
Pixel Size	7.4 $\mu$ m
Data Format	8, 10 bit
Output	Base, Medium Camera Link
Lens Mount	M42 x 1, F
Responsivity	14 DN/(nJ/cm <sup>2</sup> ) @ 1x gain
Dynamic Range	56 dB
Nominal Gain Range	Up to 4x
Size	94 x 94 x 50 mm
Mass	<550 g
Operating Temp	0 °C to 50 °C
Power Supply	12 V to 15 V
Power Dissipation	<10 W
Regulatory Compliance	CE
Control	MDR26 Camera Link
Data	Shared with Control
Power	Hirose 6 pin
Example Part Number	PT-21-04M30-00-R

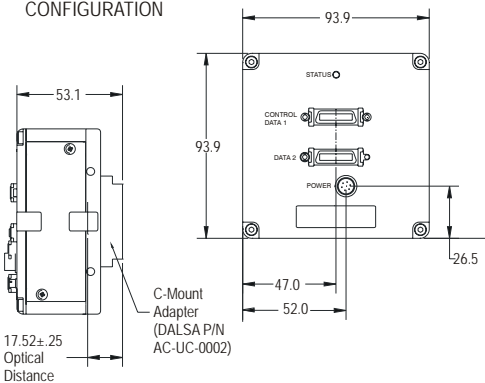
# Falcon 4M30

## Area Scan Cameras

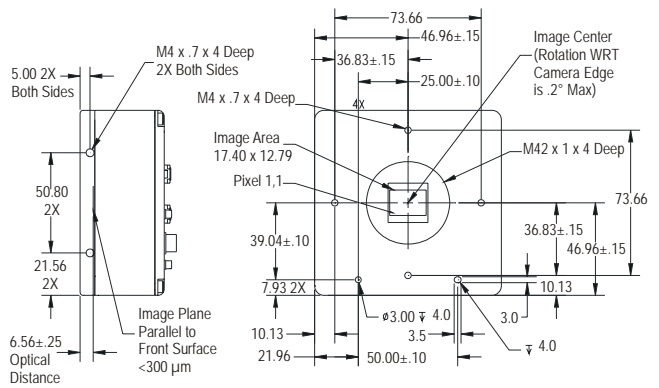
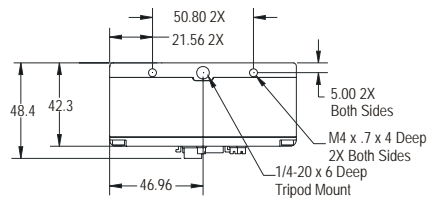
At 31fps, the 4 megapixel 4M30 camera delivers 4 times more speed than comparable ILT cameras. Using Camera Link and the same optical format as our 4M15, retrofitting the new 4M30 into existing 4 megapixel systems is simple.



F-MOUNT CONFIGURATION



C-MOUNT CONFIGURATION



Tolerance Unless  
Otherwise Specified:  
.X ± .5  
XX ± .30

