

Piranha3 P3-S0-16Kx0-00-R

CMOS Line Scan Cameras



Key Features

- CMOS line scan
- 16k pixel resolution
- Line rates up to 72 kHz and 1,179 MPix/s throughput (16k40 model)
- 100% fill factor
- Exposure control
- 1000x antiblooming
- On-chip ADC

Programmability

- Can save up to four sets of flat-field correction coefficients
- Adjustable gain and offset
- Test pattern and diagnostics

Typical Applications

- Flat-panel display inspection
- Printed circuit board inspection
- Parcel sorting
- High performance document scanning
- High throughput applications

Overview

The new Piranha3 16k CMOS line scan cameras have arrived delivering greater speed and more resolution than ever before.

The Piranha3 16k CMOS line scan camera raises resolution and speed to a new level. The 16k pixel resolution and fast 72 kHz line rate (16k40 model) is ideally suited for the inspection of large-area flat-panel displays and printed circuit boards.

With the Piranha3 16k camera you can experience more throughput than ever before in the same amount of time, plus our new HSLink interface enables higher speeds and a simpler system design overall.

The Piranha3 cameras are our largest resolution and highest throughput line scan cameras.

Specifications

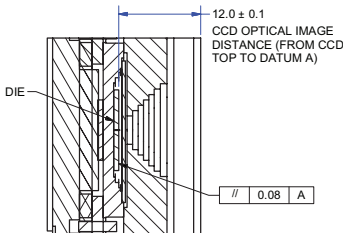
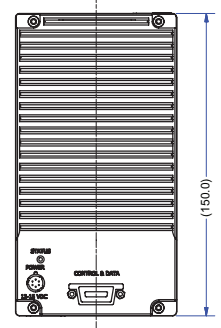
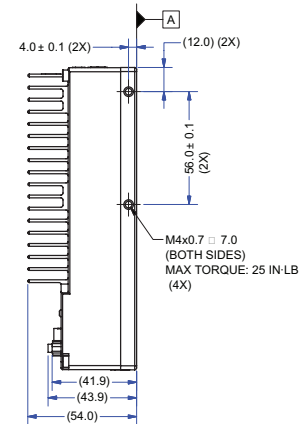
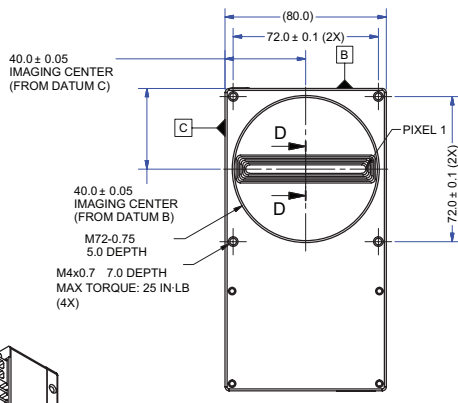
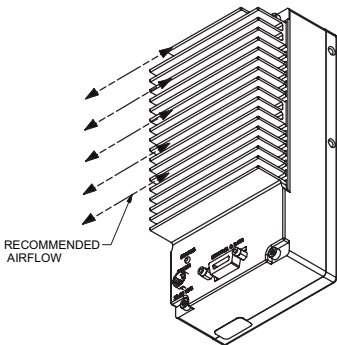
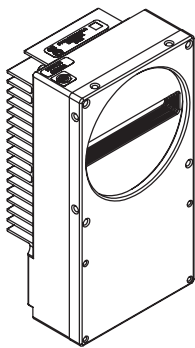
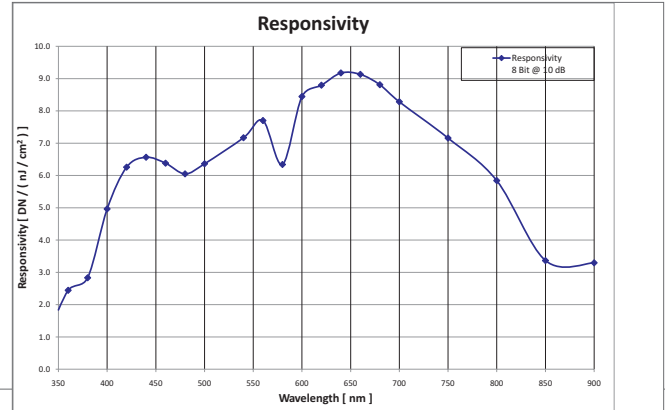
Resolution	16,384 pixels
Data Rate	1,179 MPix/s (16k40), or 655 Mpix/s (16k20)
Line Rate	72 kHz Max (16k40), or 40 kHz Max (16k20)
Pixel Size	3.5 μm x 3.5 μm
Data Format	8 bit (12 bit pending)
Output	HSLink
Lens Mount	M72 x 0.75
Responsivity	2.80 DN/(nJ/cm ²) broadband @ 0 dB
Dynamic Range	65 dB
Nominal Gain Range	0 dB to +20 dB
Size	80 mm (W) x 150 mm (H) x 54 mm (D)
Mass	TBD
Operating Temp	0 °C to 50 °C, measured at the front plate
Power Supply	12 V to 15 V
Power Dissipation	20 W
Regulatory Compliance	CE and RoHS
Control	HSLink
Data	Shared with Control
Power	Hirose 12 V to 15 V DC
Part Number	P3-S0-16K40-00-R or P3-S0-16K20-00-R

Piranha3 P3-S0-16kx0-00-R

Line Scan Cameras

With up to 1,179 MPix/s throughput and 16k of resolution, these cameras inspect and detect with unrivalled precision and speed.

The new Piranha3 cameras allow you to take your inspection system to the next level.



units: mm

- NOTES:
- 1) IMAGING AREA ALIGNED IN X-Y WITH RESPECT TO DATUM B & C.
 - 2) ROTATION OF THE CCD IMAGING AREA IS ± 0.6°.
 - 3) LENS MOUNT POSITION WITH RESPECT TO IMAGING AREA: X-Y ± 0.175 MM.

www.teledynedalsa.com

Americas

Boston, USA
 Tel: +1 978-670-2000
sales.americas@teledynedalsa.com

Europe

Munich, Germany
 Tel: +49 8142-46770
sales.europe@teledynedalsa.com

Asia Pacific

Tokyo, Japan
 +81 3-5960-6353
sales.asia@teledynedalsa.com

Teledyne DALSA is an international leader in digital imaging and semiconductors and has its corporate offices in Waterloo, Ontario, Canada.



All trademarks are registered by their respective companies. Teledyne DALSA reserves the right to make changes at any time without notice. © Teledyne DALSA 2011. 03-070-20038-00

www.adept.net.au