

AVT STINGRAY F-080B / F-080C AVT STINGRAY F-080B / F-080C fiber



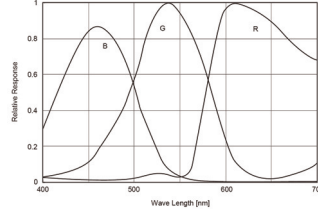
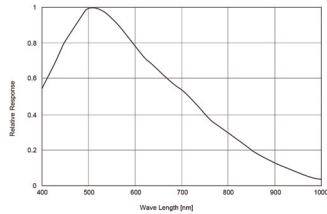
STINGRAY. The Transformer Camera

The STINGRAY falls into the mid-range in terms of price, but offers a breadth of functions unrivaled in its class and an unbeatable price/performance ratio. The six different versions are equipped with a fast FireWire IEEE1394b interface and high-end CCD sensors in color and monochrome, with resolutions from VGA up to 2 megapixels. To meet the highest requirements in the industry, the STINGRAY comes optionally in a version with a copper daisy chain connection or 1 x copper combined with 1 x GOF connector (2 x optical fiber on LCLC). The camera is loaded with typical AVT intelligent functions for image pre-processing, like lookup tables, shading corrections, white balance and 2 to 8x binning for enhanced photosensitivity. Grabber functions, including an internal memory and deferred transport mode, make the STINGRAY ideal for multi-camera operations, while the sequence mode enables lightning-fast parameter changes. The STINGRAY is designed to be modular and flexible, offering a wide selection of lens-mounts, sensors, case variations, interfaces and cable outputs, which can be flexibly configured using building-block principles.

Highlights

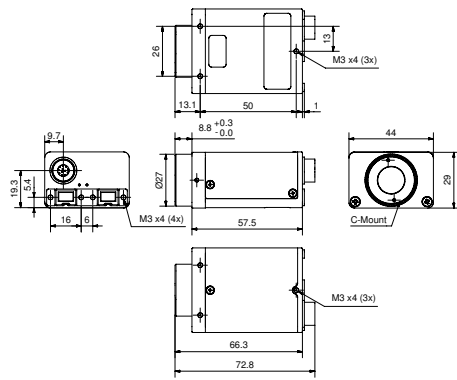
- IEEE 1394b (S 800 daisy chain)
- 1032 (H) X 776 (V)
- Up to 31 fps (full resolution)
- Progressive scan CCD, monochrome and color
- Image pre-processing features:
 - LUT
 - Real-time shading correction
 - High SNR mode
 - Hue, saturation
 - Color debayering
 - 2x ... 8x binning / sub-sampling
 - Auto gain, exposure, white balance
 - And lots more ...
- Smart frame grabber features:
 - 32 MB on-board
 - Deferred image transport
 - Trigger delay
 - Multi-shot, mirror image
 - SIS (secure image signature)
 - Sequence mode, user sets
 - And lots more ...
- Industry proven and robust housing
- C-Mount / CS-Mount
- Angled head, board level version, peltier cooling device (soon)
- Medical design on request

AVT STINGRAY F-080B / F-080C
AVT STINGRAY F-080B / F-080C fiber



Sensor specifications b/w; color
(extracted from the data sheet of the sensor - excluding lens and filter)

AOI height / pixel	Frame rate / fps
776	31
600	38
480	45
320	61
240	72
120	103
30	149
10	165
2	174



Dimensions

Stingray (2x IEEE 1394b)
72.8 x 44 x 29 (L x W x H)



Copper / Daisy Chain
Copper / GOF connections

Pin	Signal
1	External GND
2	External Power (8...36 V DC)
3	GP Output 4
4	GP Input 1 (Default: Trigger)
5	GP Output 3 (Default: Busy)
6	GP Output 1 (Default: IntEna)
7	GP Input GND
8	RxD (RS-232)
9	TxD (RS-232)
10	GP Output Power (max. 36 V DC)
11	GP Input 2 (CMOS/TTL)
12	GP Output 2

Camera Specifications

	STINGRAY F-080 B/C	STINGRAY F-080 B/C fiber
Image device	Type 1/3 (diag. 6 mm), progressive scan CCD, SONY ICX 204	
Picture size	1032 (H) x 776 (V)	
Cell size	4.65 µm x 4.65 µm	
Resolution depth	8 bit / 14 bit (16 bit in High SNR mode)	
Lens mount	C-Mount / CS-Mount	
Digital interface	IEEE1394b, (IIC V1.31) S 800 daisy chain	
Transfer rate	100 Mbit/s, 200 Mbit/s, 400 Mbit/s, 800 Mbit/s	
Frame rates	Up to 31 fps (full resolution)	
Gain control	Manual: 0...24 dB, auto gain	
Shutter speed	48 µs ... ~ 67 s, auto shutter	
Image pre-processing	LUT; shading correction; High SNR mode; white balance; color interpolation (debayering); local color anti aliasing; hue; saturation; sub-sampling; 2x - 8x binning (only b/w) or sub-sampling; separate reference AOI for auto features	
Grabber features	32 MB on-board memory; deferred image transport; trigger delay; multi-shot; mirror image; several trigger modes; SIS (secure image signature); sequence mode; storable user sets	
Power requirements	DC 8 V - 36 V; < 3.5 W @ 12 V	
Dimensions	72.8 mm x 44 mm x 29 mm (L x W x H)	
Mass	92 g (without lens)	
Operating temperature	+ 5 ... + 45° Celsius	
Storage temperature	- 10 ... + 60 ° Celsius	
Regulations	CE, FCC Class B, RoHS (2002/95/EC)	
Options	Angled heads, cable tails, optical filters, board level versions, peltier cooled device, medical design on request; AVT FirePackage / Active FirePackage / Fire4Linux	