

Go-3

High-Resolution USB 2.0 Digital Color Camera

The **QImaging® Go-3** color CMOS camera is a low-cost digital color camera for documentation and archiving in clinical, pathology, life science, material science, and industrial applications where high resolution and high speed are required. The Go-3 features a 3-megapixel sensor and on-board processing to deliver amazing color images at 6fps (full resolution). The camera's USB 2.0 interface provides convenience and simple plug-and-play installation via a single cable.



camera models

Includes: USB 2.0 cable, QCapture Suite software, QCapture Pro software, and access to SDK

Color Go-3

Model: GO-3-CLR-10

camera options

Extended Warranty

features	benefits
High-Resolution, 3-Million-Pixel Sensor	<ul style="list-style-type: none"> Highly detailed, sharp images suitable for documentation and industrial applications
High-Speed Readout	<ul style="list-style-type: none"> Previewing & focusing in real time 60fps with 640 x 480 resolution 6fps full resolution Ideal for high-resolution, high-speed imaging
Flexible Exposure Control	<ul style="list-style-type: none"> Optimal integration over a wide range of light levels
ROI (Region of Interest)	<ul style="list-style-type: none"> Higher frame rates for previewing & focusing
USB 2.0 Connection	<ul style="list-style-type: none"> Simple connectivity Ease of use and installation Portability with laptop computer Single-cable operation (no external control unit or framegrabber)
Extensive Application Software Support	<ul style="list-style-type: none"> Choose from a large selection of life science & industrial software for microscopy, machine vision, & video-streaming functions



**adept
electronic solutions**

**The Machine Vision and
Imaging Specialists**

Perth: +61 (08) 9242 5411
 Sydney: +61 (02) 9979 2599
 Melbourne: +61 (03) 9555 5621
 Email: adept@adept.net.au
 Web: <http://www.adept.net.au>

a.e.s

Go-3 Specifications

CMOS sensor	
Light-Sensitive Pixels	2048 x 1536
ROI (Region of Interest)	User selectable
Exposure/Integration Control	0ms to 1.74sec
Sensor Type	CMOS, color sensor
Pixel Size	3.2µm x 3.2µm
Linear Full Well	> 20,000 e-
Read Noise	20 e- RMS
Shutter	Rolling shutter with single-frame capture
Digital Output	8 or 10 bits (24- or 30-bit color)
Readout Frequency	24MHz
Frame Rate	6fps full resolution @ 10 bits; 60fps @ 640 x 480 resolution
camera	
Computer Platforms/ Operating Systems*	Windows®
Digital Interface	USB 2.0
Trigger Types	Internal, Software
Normal Gain Control	1 to 3.850
Optical Interface	1/2", C-mount optical format
Threadmount	1/4" — 20 mount
Power Requirements	2.5W; 5VDC
Weight	300g (0.67lbs)
Warranty	2 years
Operating Environment	0 to 50°C; 95% relative humidity non-condensing
Storage Temperature	-20 to 60°C

applications

Pathology

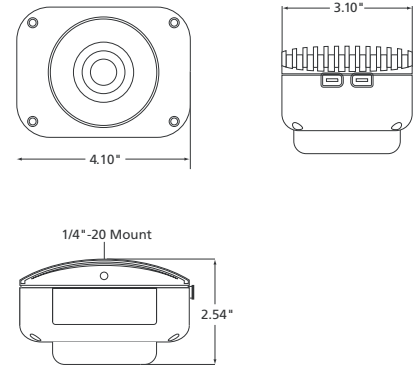
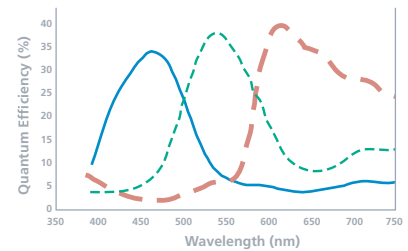
Image archiving for clinical, life science, and material science

Industrial imaging

Brightfield

Still-image animation

spectral response



*Refer to QImaging website for detailed listing of supported operating systems.
 Note: Specifications are nominal and subject to change.

Go is a trademark and QImaging is a registered trademark of QImaging Corporation.
 Windows is a registered trademark of Microsoft Corporation in the United States and other countries.
 Other brand and product names are the trademarks or registered trademarks of their respective owners and manufacturers.



Tel 604.708.5061 ■ Fax 604.539.1825 ■ info@qimaging.com
www.qimaging.com

04-0023A-B