

❖ CM-040 MCL / CB-040 MCL Progressive Scan

C3 Camera Suite
Unlimited
Digital
Switchability



- *Compact series 1/2" progressive scan camera*
- *Monochrome and Bayer mosaic color versions*
- *776 (h) x 582 (v) active pixels*
- *8.3 μ m square pixels*
- *61.15 frames/second with full resolution in continuous operation*
- *60 frames/second with external trigger and full resolution*
- *Up to 280 frames/second with partial scan*
- *111 frames/second with vertical binning (CM-040 MCL only)*
- *Shutter speed from 27.437 μ s to 2 sec. using Pulse Width Control*
- *Programmable exposure from 54.874 μ s to 16.553 ms*
- *Pre-select and Pulse width trigger modes*
- *LVAL-synchronous/-asynchronous operation (auto-detect)*
- *Auto iris lens video output to support dynamic lighting conditions*
- *10 or 8-bit output*
- *Setup by Windows NT/2000/XP via serial communication*
- *Right angle adapter (optional)*

CAMERA
Link
(Mini Camera Link)



Specifications for CM-040 MCL / CB-040 MCL

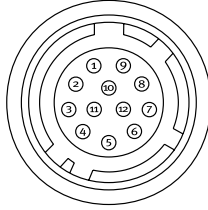
Specifications	CM-040 MCL / CB-040 MCL
Sensor	1/2" progressive scan CCD
Pixel Clock	33.75 MHz
Frame rate full frame	61.15 frames/second (596 lines per frame)
Active area	6.49 (h) x 4.83 (v) mm
Cell size	8.3 x 8.3 μm
Active pixels	776 (h) x 582 (v)
Color (CB-040 MCL)	Raw Bayer output, host-based interpolation
Read-out modes	
Full	776 (h) x 582 (v) 61 fps
2/3 partial scan	776 (h) x 390(v) 87 fps
1/2 partial scan	776 (h) x 294 (v) 110 fps
1/4 partial scan	776 (h) x 146 (v) 186 fps
1/8 partial scan	776 (h) x 74 (v) 280 fps
Vertical binning	776 (h) x 291 (v) 111 fps*
	*NOTE: CM-040 MCL only
Sensitivity (CM-040 MCL)	0.2 Lux (On sensor, Max. gain, shutter off, 50% video)
Sensitivity (CB-040 MCL)	1.3 Lux (On sensor, Max. gain, shutter off, 50% video)
S/N ratio	>50dB (0 dB gain)
Video output	8 or 10 bit in Mini-CL
Auto-iris lens video	0.7 Vp-p
Gain	Manual, -3dB to +24dB
Synchronization	Int. X-tal or ext. trigger
Inputs	Camera Link TTL Ext. trigger, LVDS (CC 1) Ext. trigger 4V ±2V
Outputs	Camera Link TTL Clk., FVAL, LVAL, Data, EEN XEEN
Trigger modes	Pre-select, Pulse Width
Electronic shutter	
Pre-set shutter	1/60 to 1/10,000 in 10 steps
Programmable exposure	2L (54.87μs) to 596L (16.353ms) in 1L steps
Pulse Width Control	27.437μs to 2 sec.
Accumulation	Auto-detect LVAL-synchr. / asynchr.
Control interface	Mini-CL serial communication
Functions controlled by serial communication	Shutter, Trigger mode, Readout mode, Trigger Polarity, Black level, Gain,
Indicators on rear panel	LED for power and trigger input
Operating Temperature	-5°C to +45°C
Humidity (operation)	20 - 90% non-condensing
Storage temp./humidity	-25°C to +60°C / 20 to 90%
Vibration	10G (20Hz to 200 Hz XYZ)
Shock	70G
Regulations	CE (EN 61000-6-2, EN-61000-6-3), FCC part 15 class B, RoHS/WEEE
Power	12V DC ±10% 3 W
Lens mount	C-mount
Dimensions (H x W x L)	29 x 44 x 66 mm (CM/CB-040 MCL) 29 x 44 x 93.5 mm (CM/CB-040 MCL-RA)
Weight	115 g (CM/CB-040 MCL) 155 g (CM/CB-040 MCL-RA)

Ordering Information

CM-040 MCL	1/2" Monochrome Progressive Scan Camera
CB-040 MCL	1/2" Bayer Mosaic Color Progressive Scan Camera
CM-040 MCL-RA	1/2" Monochrome Progressive Scan Camera with Right angle adapter
CB-040 MCL-RA	1/2" Bayer Mosaic Color Progressive Scan Camera with Right angle adapter

Connector pin-out


DC In / Trigger



HIROSE HR10A-10R-12PB-01

Pin 1	Ground
2	+12V DC
3	Ground
4	Auto Iris lens video output
5	Ground
6	N/C
7	N/C
8	Ground
9	XEEN out
10	Trigger in*
11	+12V DC
12	Ground

Mini-CL interface

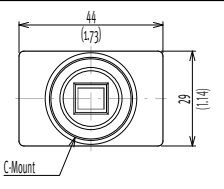


Pin	Signal	Function
1	14	GND
2	15	+/-Tx0
3	16	+/-Tx1
4	17	+/-Tx2
5	18	+/-Txclk
6	19	+/-Tx3
7	20	SerTC+/SerTC-
8	21	SerTFG+/SerTFG-
9	22	CC1-/CC1+
10	23	CC2+/CC2-
11	24	CC3-/CC3+
12	25	CC4+/CC4-
13	26	GND

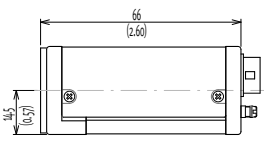
*) in Mini-CL or 12-pin Hirose

Dimensions

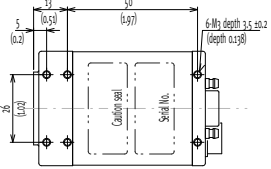
Front view



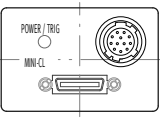
Side view



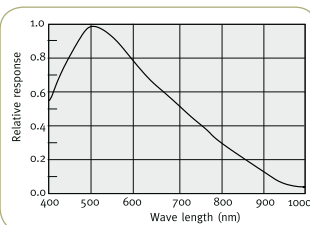
Bottom view



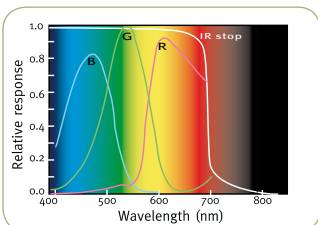
Rear view



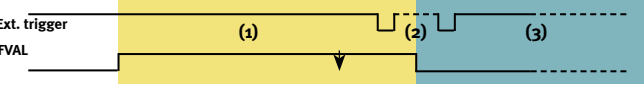
Spectral Response CM-040 MCL



Spectral Response CB-040 MCL



FVAL auto-detect trigger function (next LVAL or immediate)



- (1) Within this period camera starts accumulation at next LVAL (prevents feed-through noise)
- (2) Avoid trigger at FVAL transition, as function may randomly switch between "next LVAL" and "immediate"
- (3) Within this period camera starts accumulation immediately (no delay)

Europe, Middle East & Africa
Phone +45 4457 8888
Fax +45 4491 3252

Asia Pacific
Phone +81 45 440 0154
Fax +81 45 440 0166

Americas
Phone (Toll-Free) 1 800 445 5444
Phone +1 408 383 0300



Visit our web site on www.jai.com

See the possibilities

Company and product names mentioned in this datasheet are trademarks or registered trademarks of their respective owners. IAI AS cannot be held responsible for any technical or typographical errors and reserves the right to make changes to products and documentation without prior notification.

July 2009