

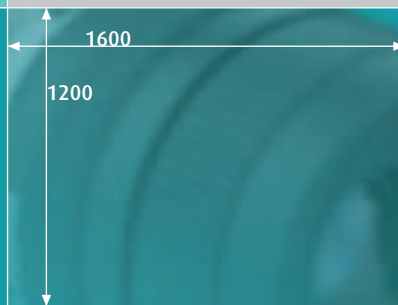


adept electronic

adept electronic solutions

The Machine Vision and Imaging Specialists

Perth: +61 (08) 9242 5411
Sydney: +61 (02) 9979 2599
Melbourne: +61 (03) 9555 5621
Email: adept@adept.net.au
Web: http://www.adept.net.au



iDS

GigE uEye[®] UI-6250SE-C/M

2 Megapixels UXGA Camera with 1/1.8" CCD Sensor

GigE uEye® SE UI-6250SE-M / UI-6250SE-C



The characteristics at a glance

Gigabit Ethernet
CCD (Sony)
UI-6250SE-C
UI-6250SE-M

Interface
Sensor Technology
Model description (color)
Model description (Mono)
Resolution (h x v)
Resolution Category / Pixel Class

1600 x 1200
UXGA / 2 MP

Sensor size
Shutter

1/1.8"
Global

max. fps in Freerun Mode at full resolution
max. fps in SW Trigger Mode at 1 ms exposure

12,5 fps
12 fps

Exposuretime in Freerun Mode
Exposuretime in Trigger Mode

94 µs - 1,57 s
94 µs - 5 s

AOI Modes
AOI with 320 x 240 Pixels (CIF)

H + V²
47 fps

Subsampling Modes
Subsampling Factors
Resolution, fps

V² (2x: Color)
x2, x4
800 x 600, 24 fps
400 x 300, 43 fps

Binning Modes
Binning Method

H + V² (Mono)
H + V: Sum

Binning Factors
Resolution, fps

x2, x3, x4
800 x 600, 24 fps
532 x 300, 34 fps
600 x 300, 43 fps
13,78x

Mono: Maximum Gain
Color: Maximum Gain RGB/Master
Additional Gain Boost with Factor

4x /8,9x
2x (Mono)

Sensor Model
Pixel Clock

ICX274
5 - 30 MHz

Pixelpitch in µm
Full Well Capacity
Optical Size
Aspect Ratio
Exact Real Diagonal

4,4
9.000 e-
7,04 x 5,28 mm
4:3
8,8 mm, 1/1,8"

In scope of delivery:

Powerful, easy to handle uEye SDK
uEye Demo and Programexamples
executable and Source Code.
uEye Camera Manager
TWAIN, Active-X and Direct Show
(WDM) drivers
Interfaces for Activision Tools,
Common Vision Blox, HALCON,
LabVIEW and Neurocheck
GeniCam™ Interface

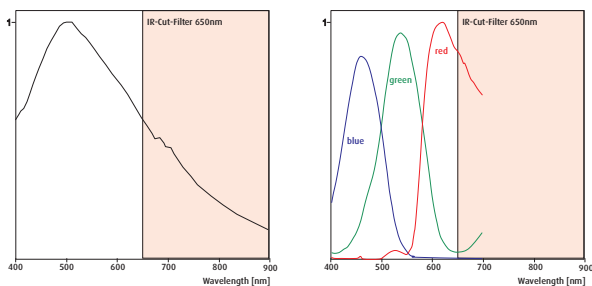
² = Use increases frame rate
* = in preparation

Driver for Windows 2000, XP, VISTA
and Linux*



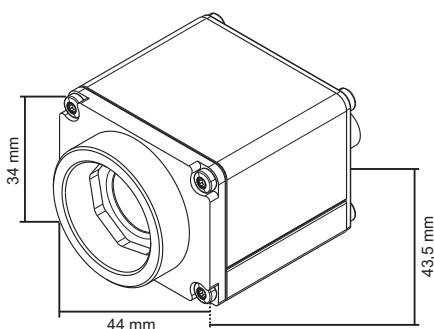
The GigE uEye® SE family

The GigE uEye® SE extends the broad range of uEye® industrial cameras by very compact models with Gigabit Ethernet interface, specially tailored to the needs of plant and machinery manufacturers. The bandwidth is 2.5 times higher than with USB and cable lengths up to 100 m are possible.



Sensor Characteristics UI-6250SE-M

UI-6250SE-C



Dimensions GigE uEye SE CCD-Model