



## DALSA XR-4S (Preliminary)

X-Ray Cameras



**DALSA XR-4S**

### Key Features

- High spatial resolution
- High DQE
- High sensitivity and low noise
- Easy to use
- Standard GigE output interface
- Automatic exposure control
- Flexible binning

### Typical Applications

- Diagnostic spot mammography
- Needle localization
- Stereotactically-guided needle breast biopsy
- Specimen radiography
- Industrial X-ray

### Overview

## An easy to use, high performance X-ray detector.

The DALSA XR-4S is an innovative 16 bit, 4 megapixel CCD digital X-ray detector for high resolution radiography applications such as diagnostic spot mammography, and stereotactically-guided needle breast biopsy. The detector uses DALSA "High Quanta" 2K x 2K resolution CCD sensor with a 50 x 50 mm field of view and provides unparalleled image quality.

The high spatial resolution, low noise, and high sensitivity of the XR-4S provides better images than other competing technologies. The XR-4 is a user friendly X-ray detector, with a GigE Ethernet interface and does not require a frame grabber for image acquisition.

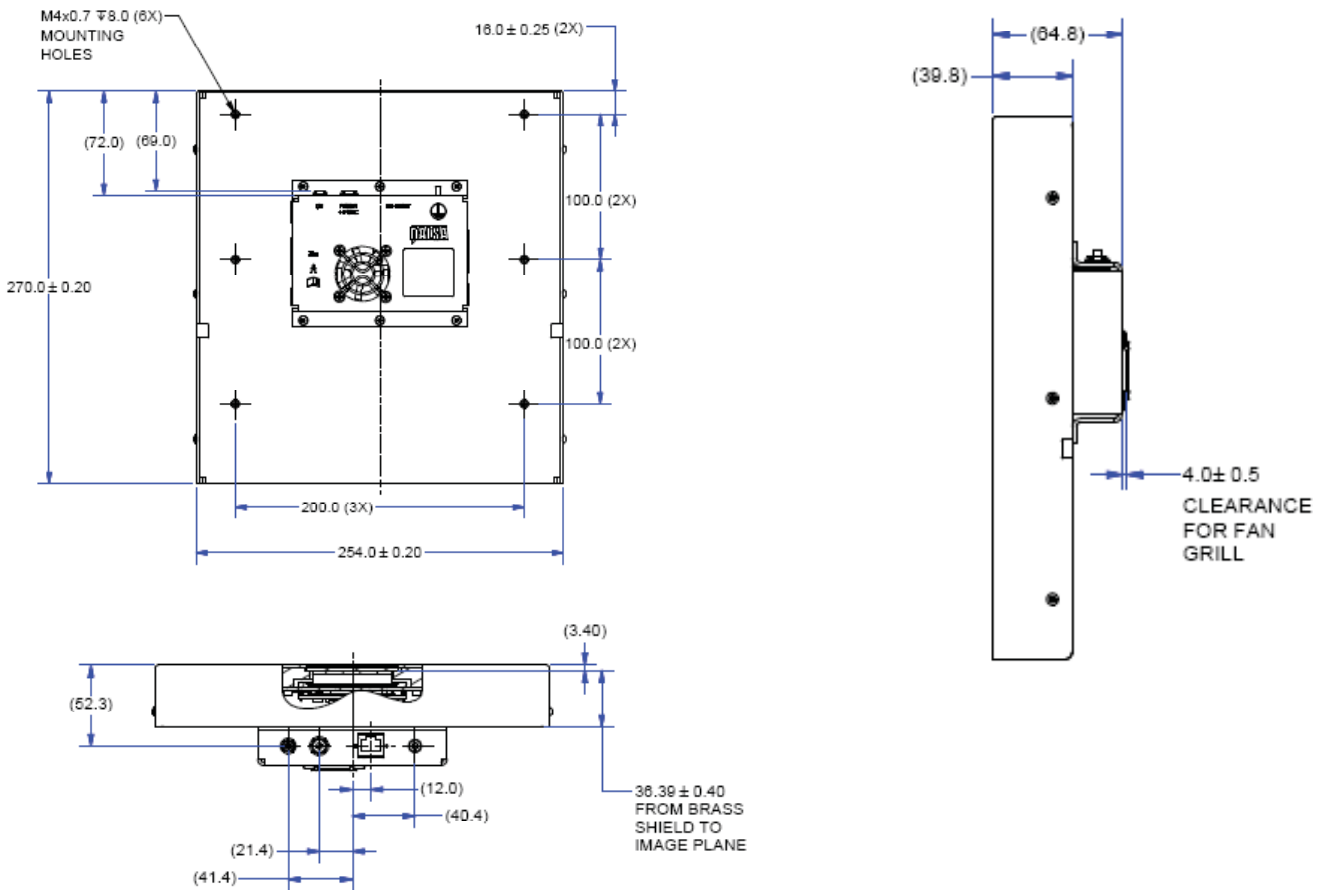
### Specifications

Resolution	2080 x 2084
Data Rate	5 MHz
Max. Frame Rate	1 fps (1x1 binning)
Pixel Size	24 $\mu$ m
Field of View	50 x 50 mm
Data Format	16 bits
Spatial Resolution	12 lp/mm (center)
Output	Gigabit Ethernet, GigE Vision™ Compliant
Dynamic Range	>72 dB linear
Binning Modes	1x1, 2x2, 4x4
Size (LxWxD)	270 x 254 x 69 mm
Mass	3 kg
Operating Temp	5 °C to 40 °C
Power Supply	+24 VDC ( $\pm$ 5%, <50 mv ripple)
Power Dissipation	< 20W
Data & Control Connector	RJ-45
Example Part Number	X4-11-04M01-00-R

# DALSA XR-4S (Preliminary)

X-Ray Cameras

Mechanical Dimensions.



[www.dalsa.com](http://www.dalsa.com)

## Americas

Waterloo, Canada  
Tel: +1 519-886-6000  
sales.americas@dalsa.com

## Europe

Munich, Germany  
Tel: +49 8142-46770  
sales.europe@dalsa.com

## Asia Pacific

Tokyo, Japan  
+81 3-5960-6353  
sales.asia@dalsa.com

DALSA is an international leader in digital imaging and semiconductors and has its corporate offices in Waterloo, Ontario, Canada.

All trademarks are registered by their respective companies. DALSA reserves the right to make changes at any time without notice. © DALSA 2008. 101708\_xr-4s.

